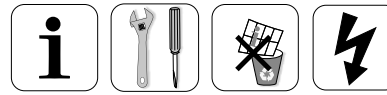




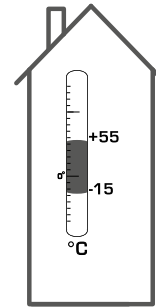
Actuator
SERIES 90



Series 90



LVD 2014/35/EU
EMC 2014/30/EU
RoHS3 2015/863/EU

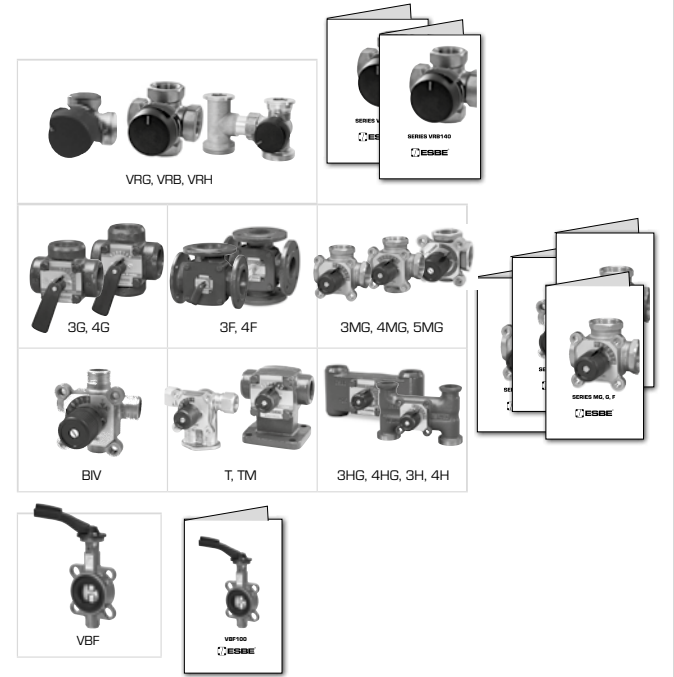
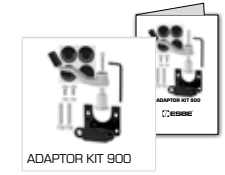
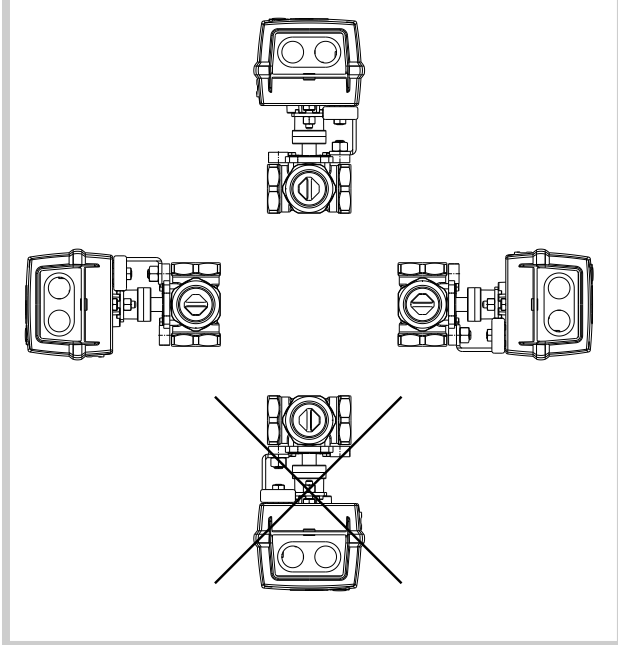


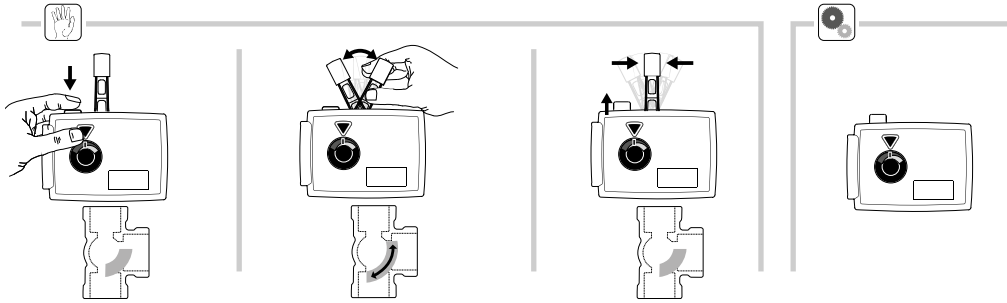
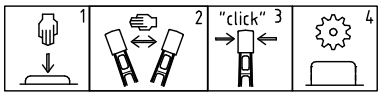
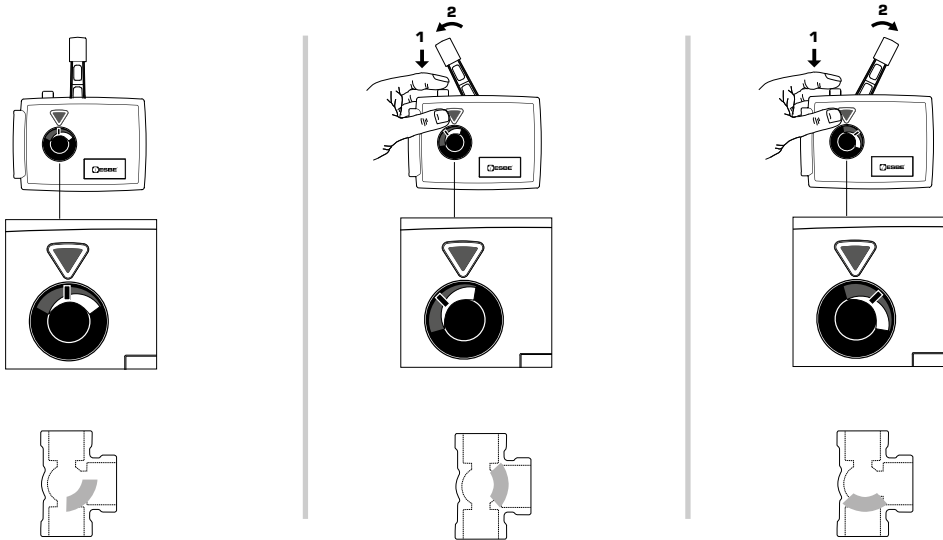
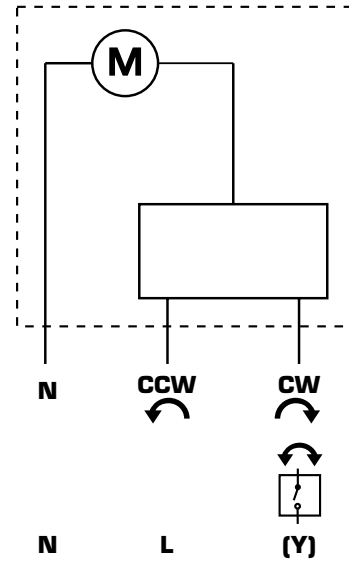
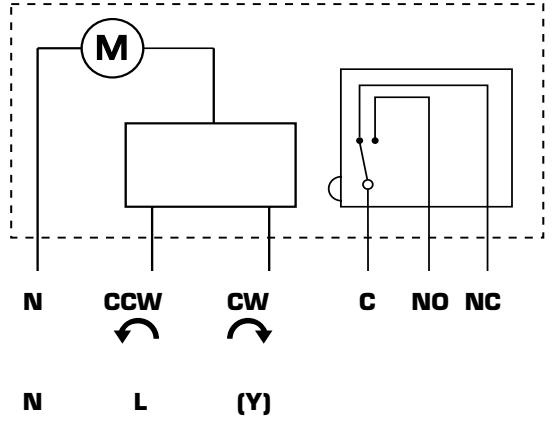
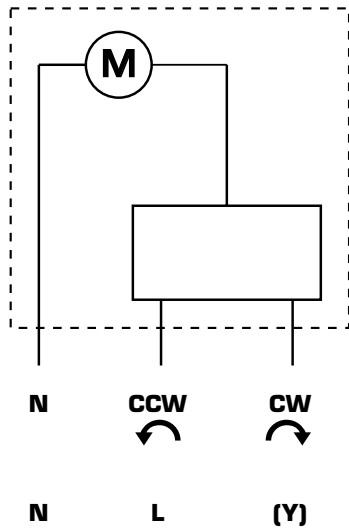
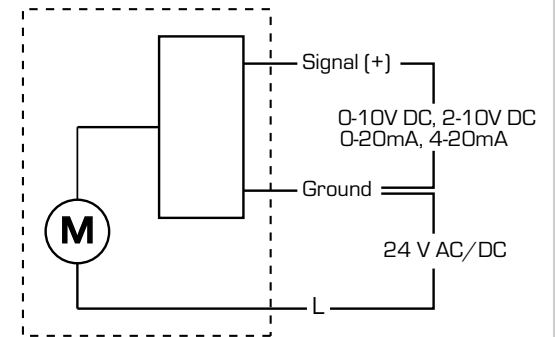
SERIES 90



Mtrl.nr. 9814 01 50 • Ritn.nr. 3399 vers. K • Rev. 2022-01-10

1



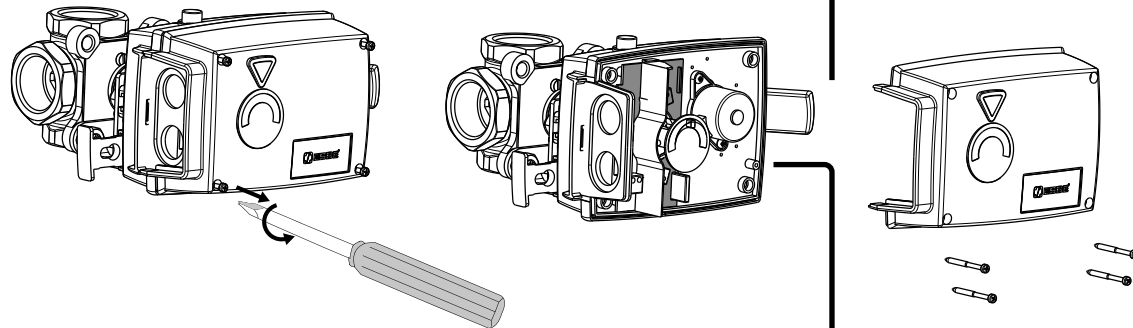
2a**2b****3****97 - 98****91M - 96M****91 - 96, 90SL****90P**



90P



90P



90P (90° / 120s)

- 1
 - 2 /
 - 3
 - 4 /
-
- 5
 - 6
 - 7
 - 8 VM

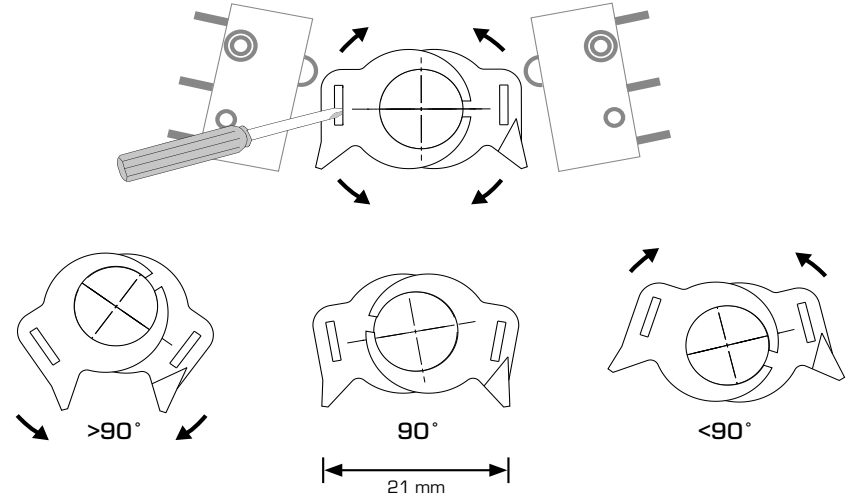
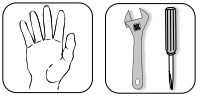


90P

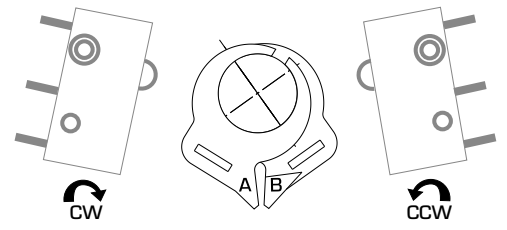
<p>→ ON</p> <input checked="" type="checkbox"/> 1 <input type="checkbox"/> 2 <input checked="" type="checkbox"/> 3 <input checked="" type="checkbox"/> 4 <input checked="" type="checkbox"/> 5 <input checked="" type="checkbox"/> 6 <input checked="" type="checkbox"/> 7 <input checked="" type="checkbox"/> 8	<p>90P (90°)</p> <input checked="" type="checkbox"/> 1 <input checked="" type="checkbox"/> / <input type="checkbox"/> 2	<p>90P (180°)</p> <input checked="" type="checkbox"/> 1 <input type="checkbox"/> 2			<p>90P (355°)</p> <input checked="" type="checkbox"/> 1 <input checked="" type="checkbox"/> 2				
	<input checked="" type="checkbox"/> 3 120 s <input checked="" type="checkbox"/> / <input type="checkbox"/> 4	<input checked="" type="checkbox"/> 3 90 s <input checked="" type="checkbox"/> 4	<input checked="" type="checkbox"/> 3 60 s <input checked="" type="checkbox"/> 4	<input checked="" type="checkbox"/> 3 240 s <input checked="" type="checkbox"/> / <input type="checkbox"/> 4	<input checked="" type="checkbox"/> 3 180 s <input checked="" type="checkbox"/> 4	<input checked="" type="checkbox"/> 3 120 s <input checked="" type="checkbox"/> 4	<input checked="" type="checkbox"/> 3 390 s <input checked="" type="checkbox"/> / <input type="checkbox"/> 4	<input checked="" type="checkbox"/> 3 260 s <input checked="" type="checkbox"/> 4	<input checked="" type="checkbox"/> 3 130 s <input checked="" type="checkbox"/> 4
	<input checked="" type="checkbox"/> 5 ↻	<input checked="" type="checkbox"/> 5 ↻							
	<input checked="" type="checkbox"/> 6 0-10 V <input checked="" type="checkbox"/> 7	<input checked="" type="checkbox"/> 6 2-10 V <input checked="" type="checkbox"/> 7	<input checked="" type="checkbox"/> 6 0-5 V <input checked="" type="checkbox"/> 7	<input checked="" type="checkbox"/> 6 1-5 V <input checked="" type="checkbox"/> 7	<input checked="" type="checkbox"/> 6 0-20 mA <input checked="" type="checkbox"/> 7	<input checked="" type="checkbox"/> 6 4-20 mA <input checked="" type="checkbox"/> 7	<input checked="" type="checkbox"/> 6 0-10 mA <input checked="" type="checkbox"/> 7	<input checked="" type="checkbox"/> 6 2-10 mA <input checked="" type="checkbox"/> 7	
	<input checked="" type="checkbox"/> 8 VM	<input checked="" type="checkbox"/> 8 CM							



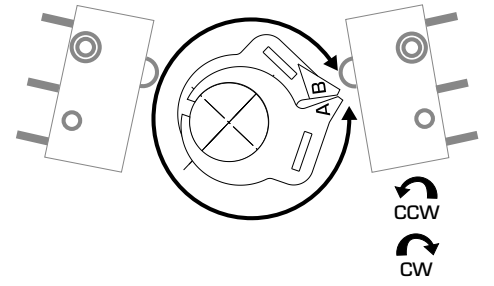
90P



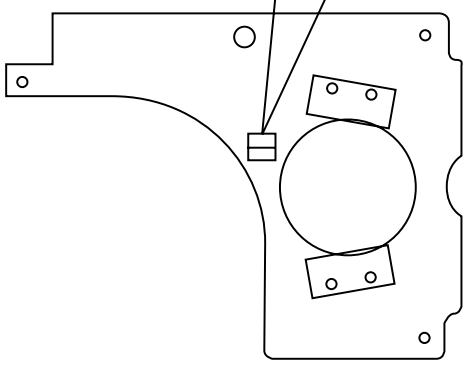
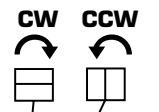
(\triangleright 180



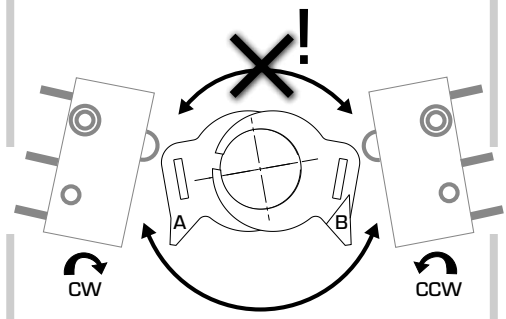
(\triangleright 355



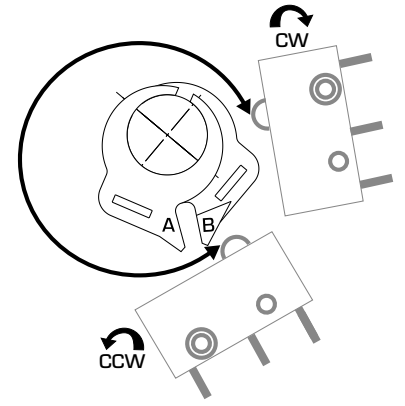
97 - 98



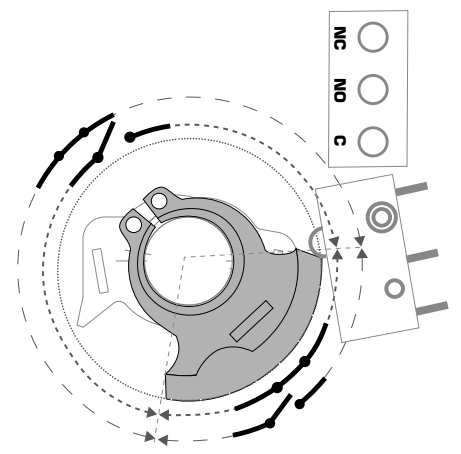
91-96, 91M-96M, 90SL, 97-98



95-270M



91M-96M, 95-270M



NC ———
NO - - - -