

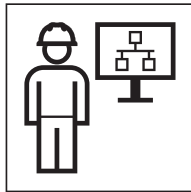
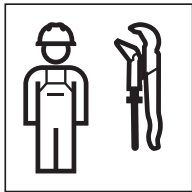
# INSTALLATION MANUAL

MONTAGEANLEITUNG  
INSTRUCTIONS DE MONTAGE  
ISTRUZIONI PER IL MONTAGGIO



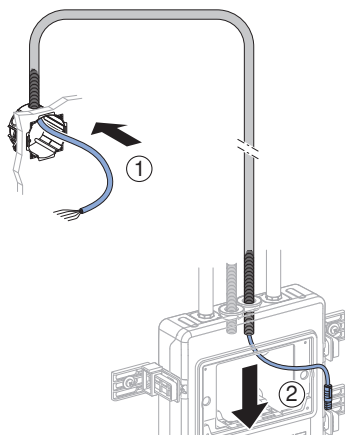
966.713.00.0(03)

**KNOW  
HOW  
INSTALLED**



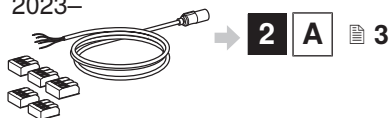


1

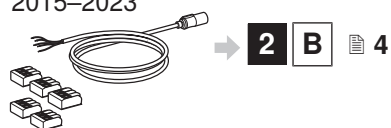


2

Digital I/O  
HS30/HS50  
2023–



Digital I/O  
2015–2023



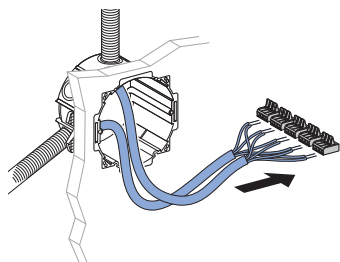
RS485  
2015–2023



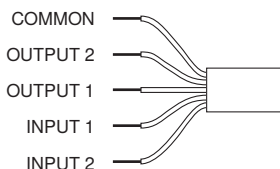
# 2


# A

## 1



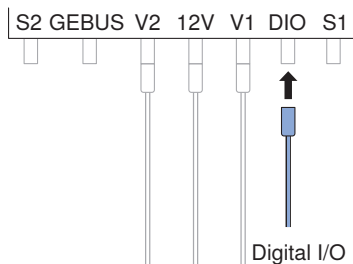
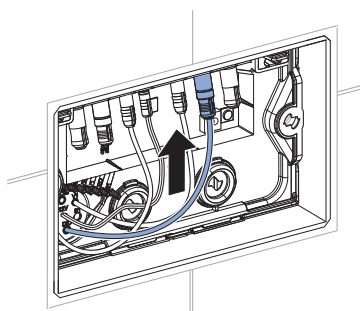
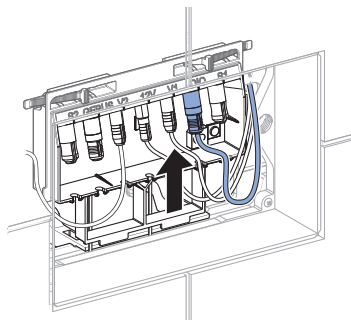
Digital I/O HS30/HS50 2023-

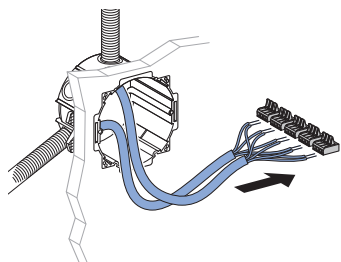


Digital I/O		Pin	
COMMON	green, grün, vert, verde	2	
OUTPUT 2	white, weiss, blanc, bianco	3	
OUTPUT 1	brown, braun, brun, marrone	4	
INPUT 1	red, rot, rouge, rosso	5	
INPUT 2	yellow, gelb, jaune, giallo	1	

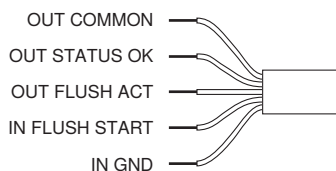


## 2

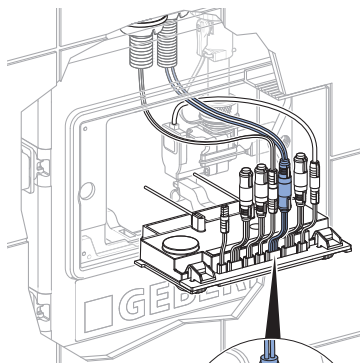


**2****B****1**

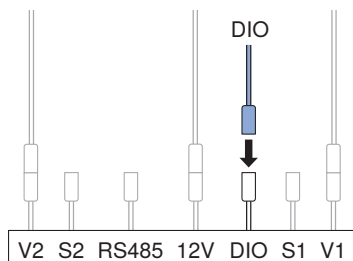
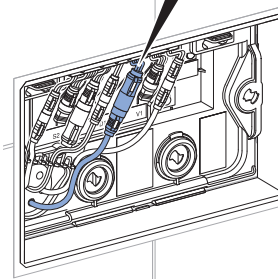
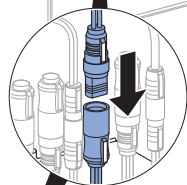
### Digital I/O 2015–2023



Digital I/O		Pin
OUT COMMON	green, grün, vert, verde	2
OUT STATUS OK	white, weiss, bianco	3
OUT FLUSH ACT	brown, braun, brun, marrone	4
IN FLUSH START	red, rot, rouge, rosso	5
IN GND	yellow, gelb, jaune, giallo	1

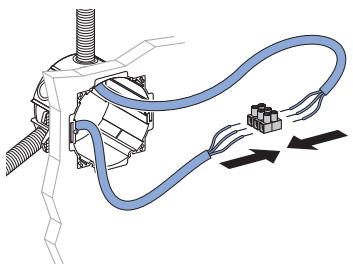
**2**

DIO



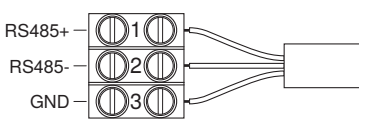
# 2 C

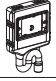
1



**i**

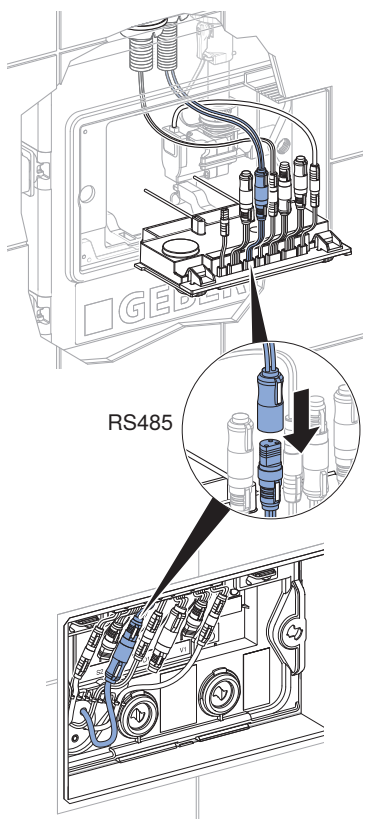
RS485 2015–2023



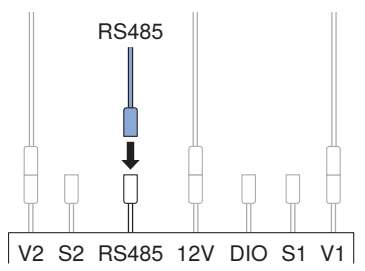
	RS485	
1	RS485+	yellow, gelb, jaune, giallo
2	RS485-	green, grün, vert, verde
3	GND	white, weiss, blanc, bianco



2



**i**







---

**Geberit International AG**  
**Schachenstrasse 77, CH-8645 Jona**  
**documentation@geberit.com**  
**www.geberit.com**

