

## Adapter Systemschnittstelle LifeSystem Connector for system interface LifeSystem

- Ⓓ **Montageanleitung**
- ⒼⒷ **Installation instructions**
- Ⓕ **Notice de montage**
- ⓃⓁ **Montage van**
- Ⓘ **Istruzioni di montaggio**

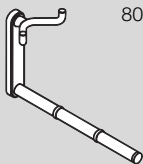
# HEWI

# Adapter Systemschittstelle LifeSystem

Montageanleitungen / installation instructions / notice de montage / montage van / istruzioni di montaggio



802.95.E01



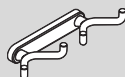
802.09.100



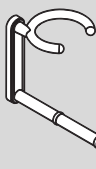
802.90.E01



802.90.E02



802.90.200



802.09.200



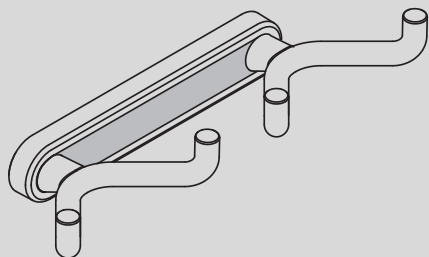
802.90.E03



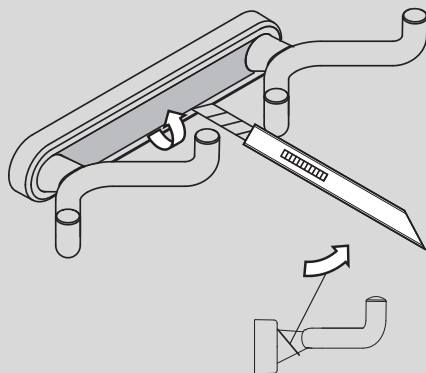
802.90.100



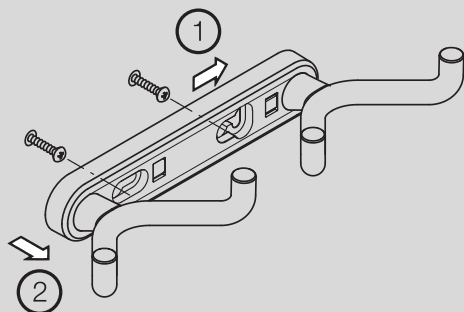
802.90.E04



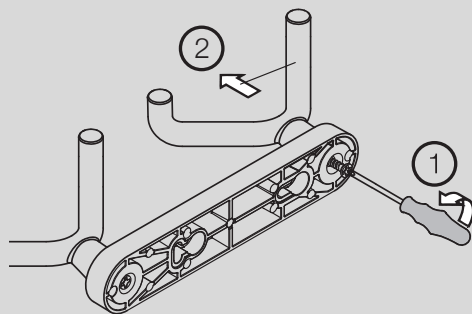
1



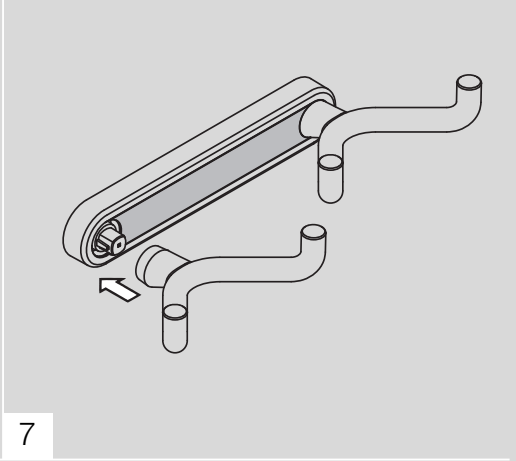
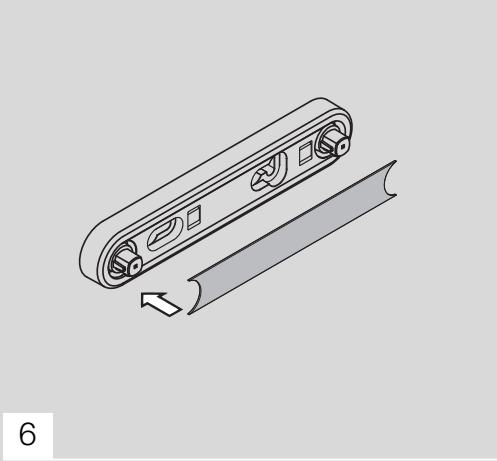
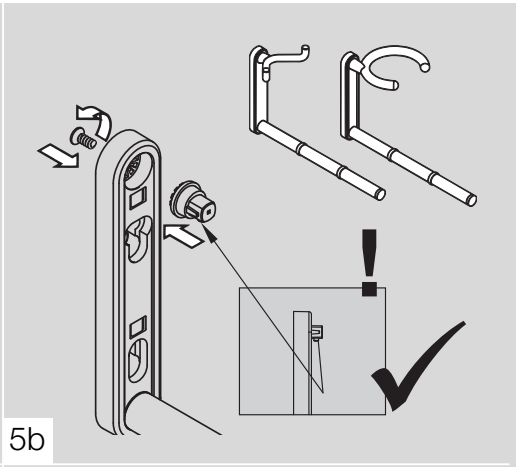
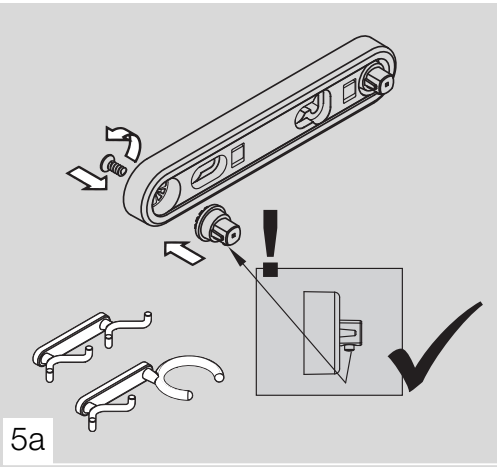
2



3

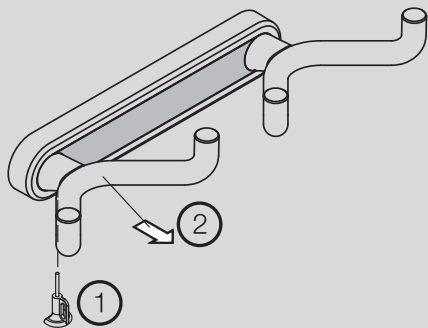


4



# Adapter Systemschrittstelle LifeSystem

Demontage / dismantling / démontage / demontage / smontaggio



1