

SET KARTELL BY LAUFEN

Countertop basin, shelf left

81033.5



TECHNICAL DATA

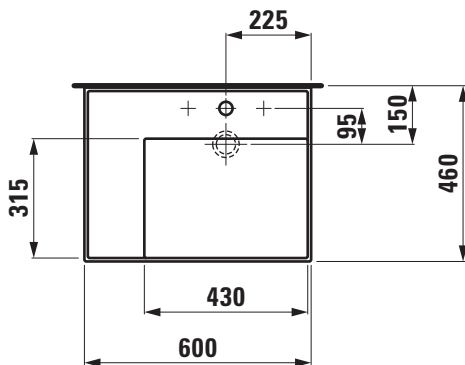
| | |
|-----------------------|---|
| Order no. | 81033.5 |
| Certified to | EN 31 |
| Dimensions | 600 x 460 mm |
| Basin capacity | 4.8 litre (basin with hidden overflow) 9.7 litre (basin without overflow) |
| Specification | with special hidden drain Charge 111 – 1 centre tap hole, without overflow |
| Special specification | Charge 112 – without tap holes, without overflow Charge 158 – 3 tap holes, without overflow Charge 815 – 1 centre tap hole, 1 hole right for mixing unit, without overflow Charge 104 – 1 centre tap hole, hidden overflow Charge 108 – 3 tap holes, hidden overflow Charge 814 – 1 centre tap hole, 1 hole right for mixing unit, hidden overflow |
| Weight | 15,0 kg |
| Accessories excl. | Towel frame, order no. 38533.5 |

| | |
|---------------------|--|
| Mounting acc. incl. | Valve pre-assembled Charge 111, 112, 158, 815 – valve without overflow always open, order no. 89830.1 Charge 104, 108, 814 – pop up valve, order no. 89830.2 |
| Mounting acc. excl. | Siphon DN 32 chrome, order no. 89394.7 Mounting set M10 x 140 mm, order no. 89988.2 |
| Colours | see colour table |

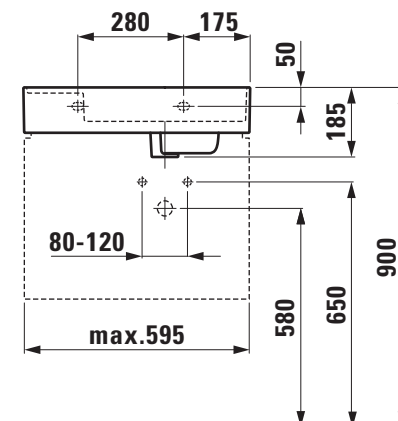
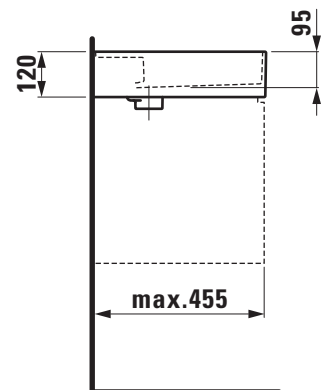
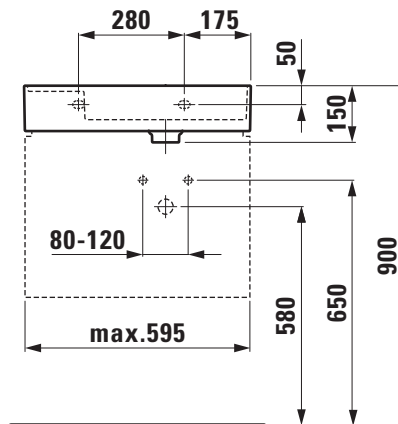
SPECIFICATION TEXT

Countertop basin KARTELL BY LAUFEN, SaphirKeramik
EN 31, dimensions 600 x 460 mm
1 centre tap hole, without overflow, valve without overflow always open
Special feature: with special hidden drain, valve pre-assembled
Further options / accessories: Surface refinement LCC (only white), without tap holes and overflow, 3 tap holes without overflow, 1 centre tap hole with 1 hole right for mixing unit and without overflow, 1 centre tap hole with hidden overflow, 3 tap holes with hidden overflow, 1 centre tap hole with 1 hole right for mixing unit and hidden overflow, towel frame, bathtubs, shower trays, furniture, accessories
Order no. 81033.5

TECHNICAL DRAWINGS / S 1 : 20



Charge 111, 112, 158, 815



Charge 104, 108, 814

