

# SET LAUFEN PRO S

## Double countertop basin 81496.8



### TECHNICAL DATA

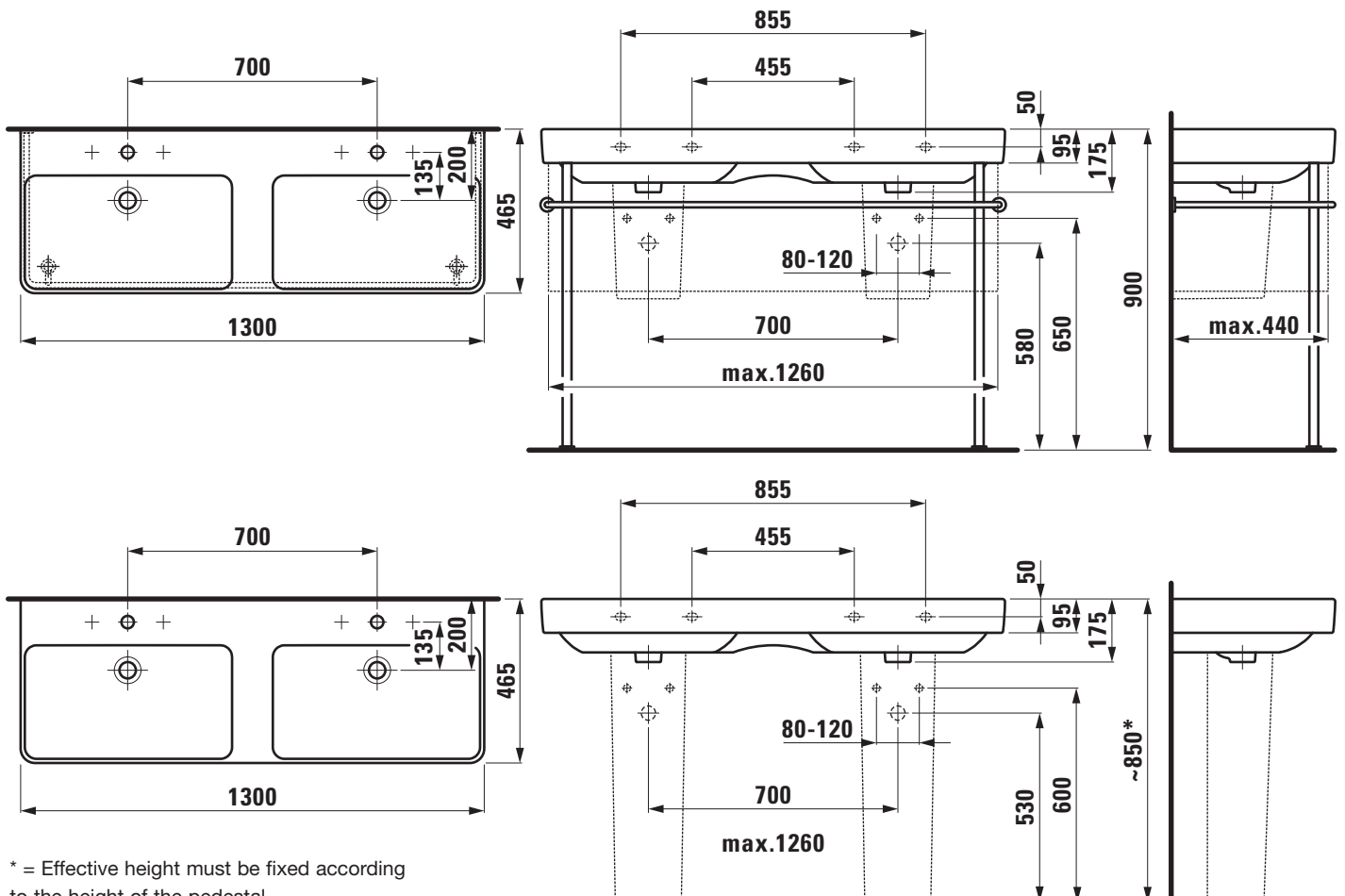
Order no.	81496.8
Certified to	EN 31
Dimensions	1300 x 465 mm
Inside dimensions of the basin	per basin 295 x 540 mm
matching for	Vanity unit Laufen Pro S, order no. 48357.2, 48357.1
Specification	Charge 104 – per basin 1 centre tap hole per basin 1 overflow
Special specification	Charge 108 – per basin 3 tap holes per basin 1 overflow Charge 109 – without tap holes per basin 1 overflow Charge 136 – per basin 3 tap holes, distance 8 inches
Weight	32,0 kg

Accessories excl.	Siphon cover, order no. 81996.3 (3 tap holes not possible) Pedestal, order no. 81996.2 Towel rack, order no. 38596.2
Mounting acc. excl.	2x Mounting set M10 x 140 mm, order no. 89988.2
Colours	see colour table

### SPECIFICATION TEXT

Double countertop basin LAUFEN PRO S, sanitary ceramic EN 31, dimensions 1300 x 465 mm, angular per basin 1 centre tap hole  
Special feature: overflow channel glazed  
Further options / accessories: Surface refinement LCC (only white), per basin 3 tap holes, without tap holes, per basin 3 tap holes distance 8 inches, siphon cover, pedestal, towel rack, bathtubs, vanity unit, furniture  
Order no. 81496.8

### TECHNICAL DRAWINGS / S 1 : 20



\* = Effective height must be fixed according to the height of the pedestal.