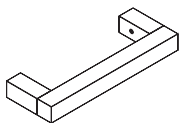
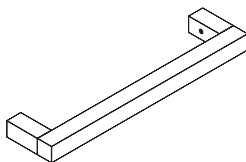


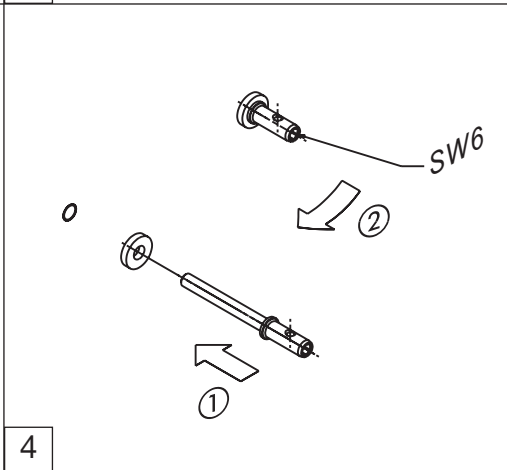
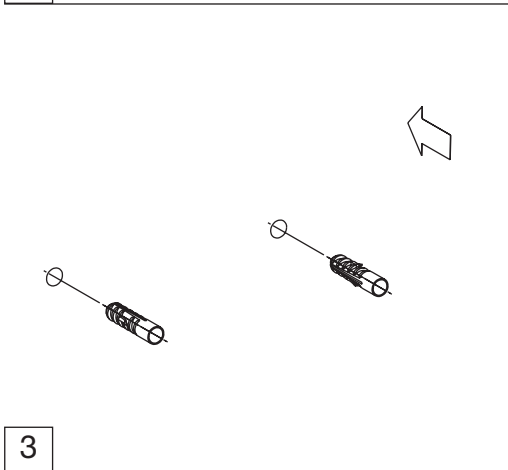
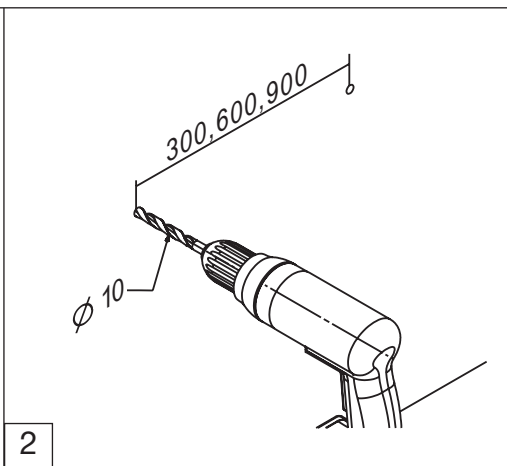
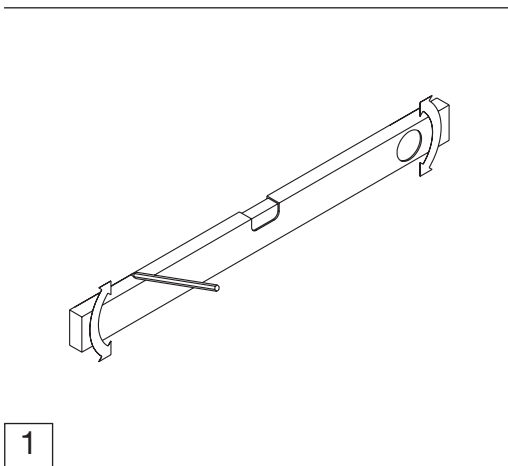
- Ⓓ **Montageanleitung**
- ⒼⒷ **Installation instructions**
- Ⓕ **Montage**
- ⒶⒻ **Montage van**
- Ⓘ **Istruzioni di montaggio**
- Ⓔ **Montaje instrucciones**
- ⒶⒻ **Instrukcja montażu**

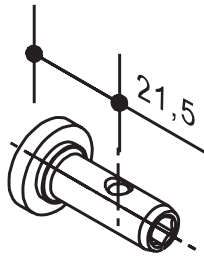


100.36.10040/100.36.10060
100.36.11040/100.36.11060
100.36.12040/100.36.12060
 Haltegriff
 Support rail
 Barre de maintien
 Wandsteun
 Impugnatura di sicurezza
 Asidero
 Uchwyt

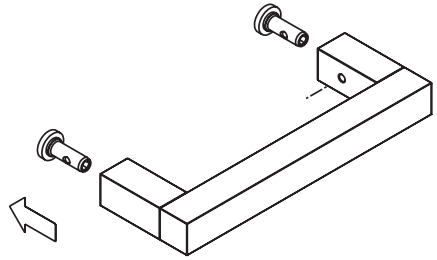


100.30.20040/100.30.20060
100.30.21040/100.30.21060
 Badetuchhalter
 Towel rail
 Porte-serviettes
 Badhanddoekhouder
 Portasciugamani
 Toallero toallas baño
 Uchwyt na ręcznik kąpielowy

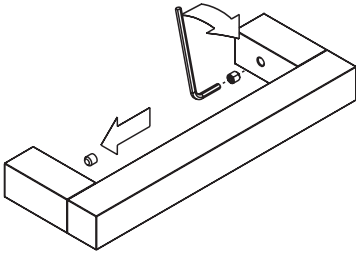




5



6



7

HEWI

www.hewi.com

Deutschland

HEWI Heinrich Wilke GmbH

Postfach 1260

D-34442 Bad Arolsen

Telefon: +49 5691 82-0

Telefax: +49 5691 82-319

info@hewi.de

www.hewi.de