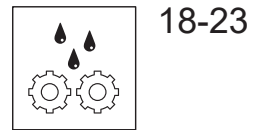
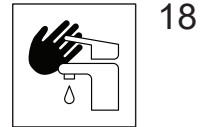
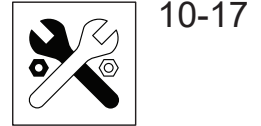




# HANSAPRIMO

Installation and maintenance guide

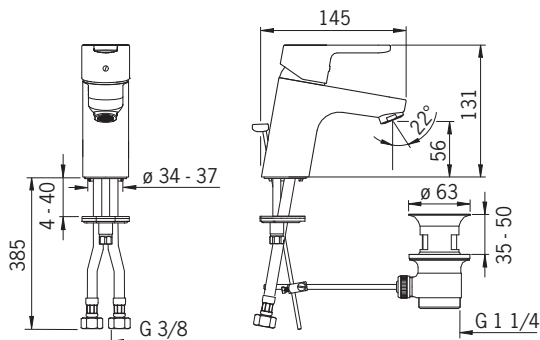






## 4940 2203

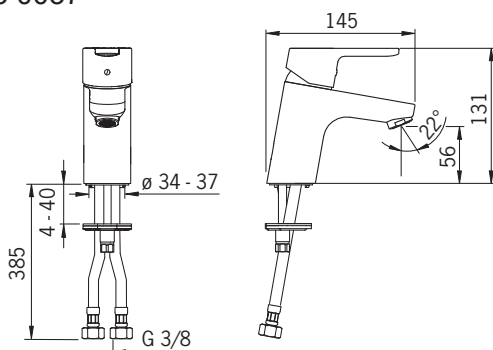
I (ISO 3822)  
EN 817  
50 - 1000 kPa  
0.10 l/s (300 kPa w/Controller)  
max. +70°C



[mpi.hansa.com/49402203](http://mpi.hansa.com/49402203)

## 4942 2203 , 4942 2203 0037

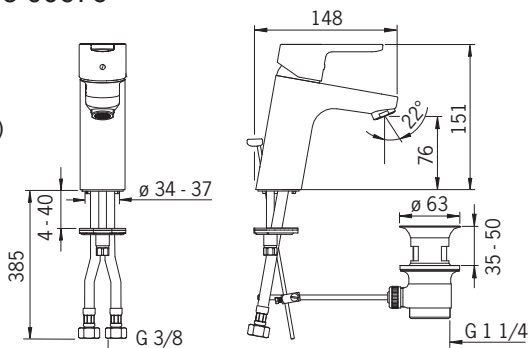
I (ISO 3822)  
EN 817  
100 - 1000 kPa  
0.10 l/s (300 kPa w/Controller)  
200 kPa (0.1 l/s)  
max. +70°C



[mpi.hansa.com/49422203](http://mpi.hansa.com/49422203)

## 4956 2203 , 4956 2203 00676

I (ISO 3822)  
EN 817  
50 - 1000 kPa  
0.10 l/s (300 kPa w/Controller)  
max. +70°C

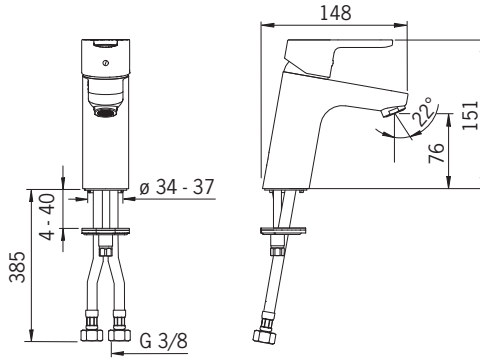


[mpi.hansa.com/49562203](http://mpi.hansa.com/49562203)



**4937 2203**

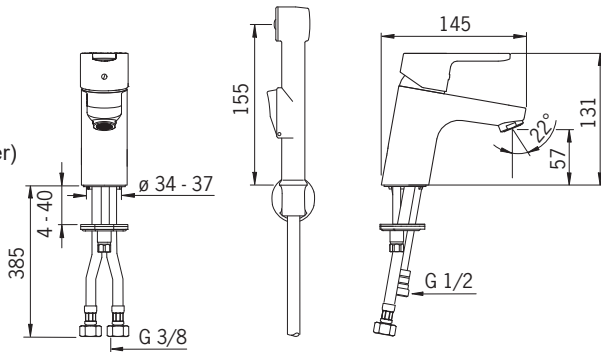
I (ISO 3822)  
 EN 817  
 100 - 1000 kPa  
 0.10 l/s (300 kPa w/Controller)  
 200 kPa (0.1 l/s)  
 max. +70°C



[mpi.hansa.com/49372203](http://mpi.hansa.com/49372203)

**4946 2203**

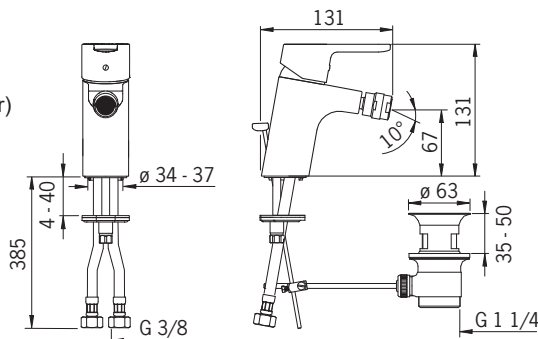
I (ISO 3822)  
 EN 817, EN 1113  
 100 - 1000 kPa  
 0.15 l/s (300 kPa)  
 0.10 l/s (300 kPa w/Controller)  
 200 kPa (0.1 l/s)  
 max. +70°C



[mpi.hansa.com/49462203](http://mpi.hansa.com/49462203)

**4943 3203**

I (ISO 3822)  
 EN 817  
 50 - 1000 kPa  
 0.10 l/s (300 kPa w/Controller)  
 max. +70°C

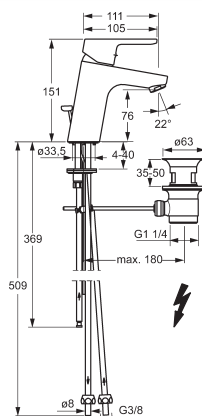


[mpi.hansa.com/49433203](http://mpi.hansa.com/49433203)



### 4938 1103

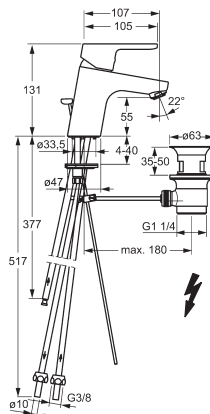
EN 817  
50 - 500 kPa  
max. +80°C



[mpi.hansa.com/49381103](http://mpi.hansa.com/49381103)

### 4957 1103

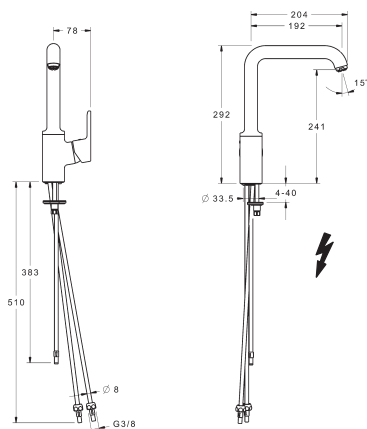
EN 817  
50 - 500 kPa  
max. +80°C



[mpi.hansa.com/49571103](http://mpi.hansa.com/49571103)

### 4922 1103

EN 817  
50 - 500 kPa  
max. +80°C

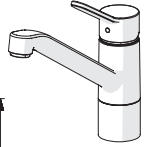
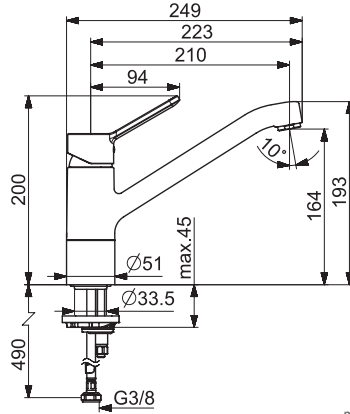
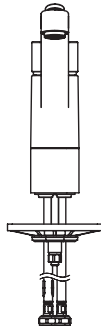


[mpi.hansa.com/49221103](http://mpi.hansa.com/49221103)



**4948 2203 , 4948 2203 00676**

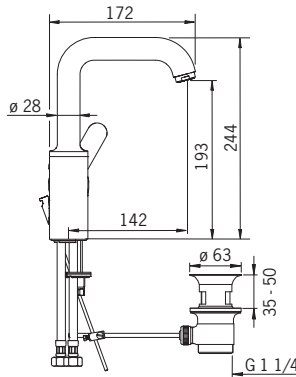
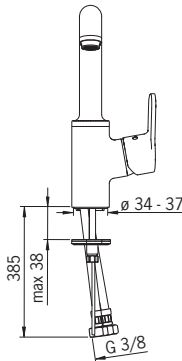
I (ISO 3822)  
 EN 817  
 50 - 1000 kPa  
 0.20 l/s (300 kPa)  
 300 kPa (0.2 l/s)  
 max. +70°C



[mpi.hansa.com/49482203](http://mpi.hansa.com/49482203)

**4954 2203**

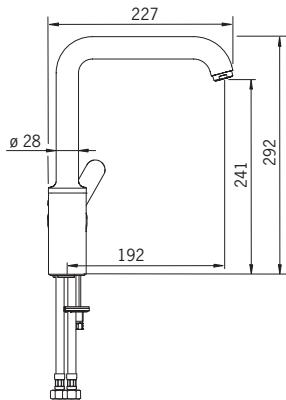
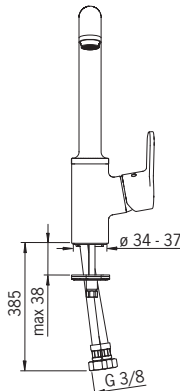
I (ISO 3822)  
 EN 817  
 50 - 1000 kPa  
 0.10 l/s (300 kPa w/Controller)  
 max. +70°C



[mpi.hansa.com/49542203](http://mpi.hansa.com/49542203)

**4920 2203 , 4920 2203 0037**

I (ISO 3822)  
 EN 817  
 100 - 1000 kPa  
 0.20 l/s (300 kPa)  
 max. +70°C

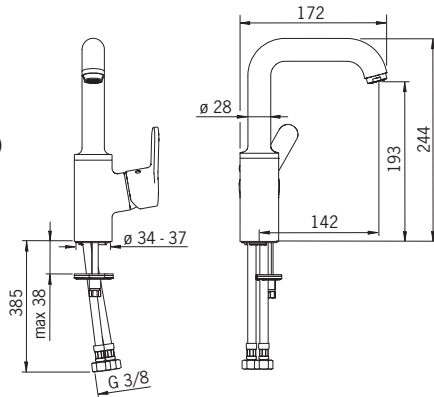


[mpi.hansa.com/49202203](http://mpi.hansa.com/49202203)



### 4955 2203

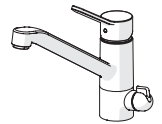
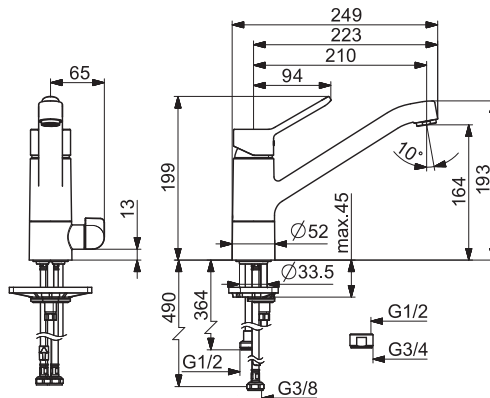
I (ISO 3822)  
 EN 817  
 100 - 1000 kPa  
 0.10 l/s (300 kPa w/Controller)  
 max. +70°C



[mpi.hansa.com/49552203](http://mpi.hansa.com/49552203)

### 4950 2203

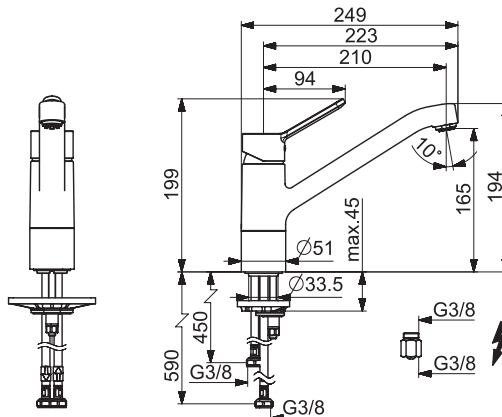
I (ISO 3822)  
 EN 817  
 50 - 1000 kPa  
 0.20 l/s (300 kPa)  
 300 kPa (0.2 l/s)  
 max. +70°C



[mpi.hansa.com/49502203](http://mpi.hansa.com/49502203)

### 4949 1103

I (ISO 3822)  
 EN 817  
 50 - 500 kPa  
 0.12 l/s (300 kPa)  
 max. +70°C



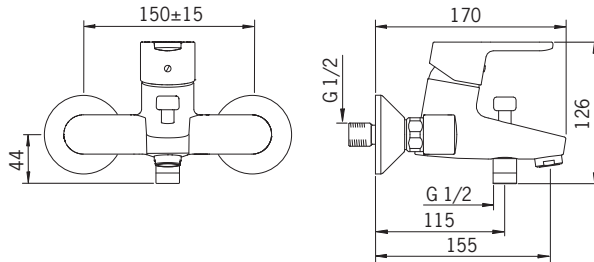
[mpi.hansa.com/49491103](http://mpi.hansa.com/49491103)





**4944 2103 , 4944 2103 00003**

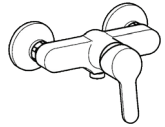
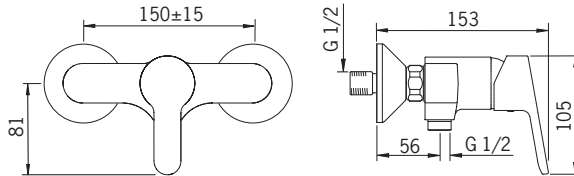
I (ISO 3822)  
 EN 817  
 100 - 1000 kPa  
 0.34 / 0.32 l/s (300 kPa)  
 250 kPa (0.3 l/s)  
 max. +80°C



[mpi.hansa.com/49442103](http://mpi.hansa.com/49442103)

**4945 0103**

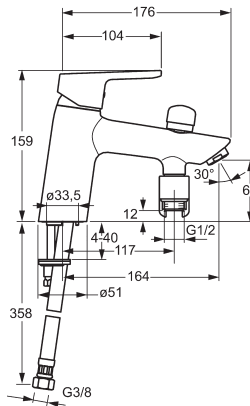
I (ISO 3822)  
 EN 817  
 100 - 1000 kPa  
 0.28 l/s (300 kPa)  
 160 kPa (0.2 l/s)  
 max. +80°C



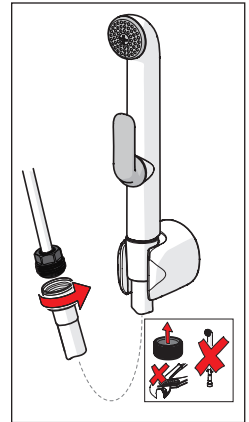
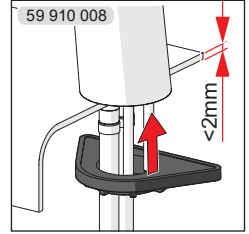
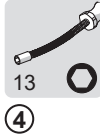
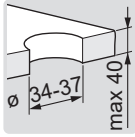
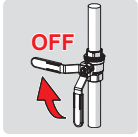
[mpi.hansa.com/49450103](http://mpi.hansa.com/49450103)

**4951 2203**

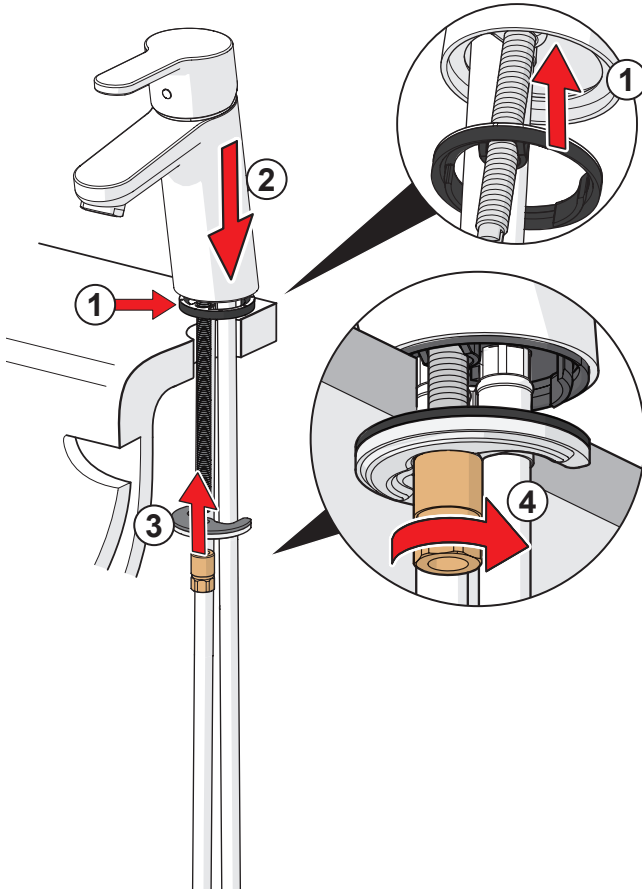
EN 817  
 50 - 1000 kPa  
 0.34 / 0.32 l/s (300 kPa)  
 max. +70°C

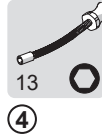
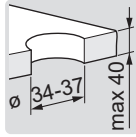
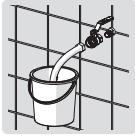
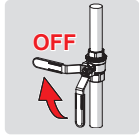


[mpi.hansa.com/49512203](http://mpi.hansa.com/49512203)

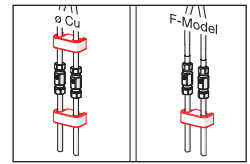
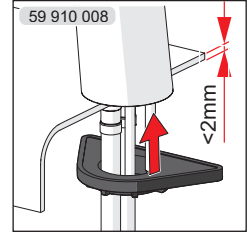
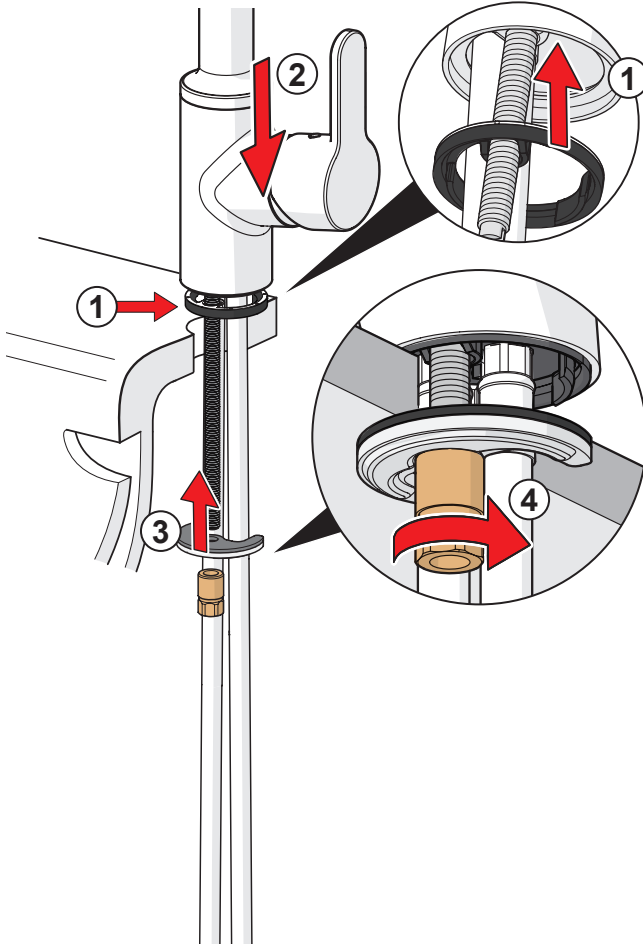


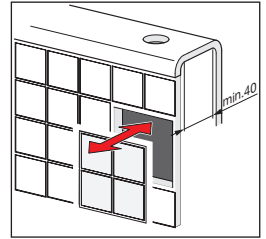
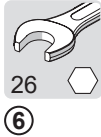
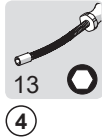
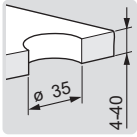
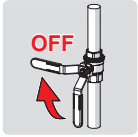
**1**



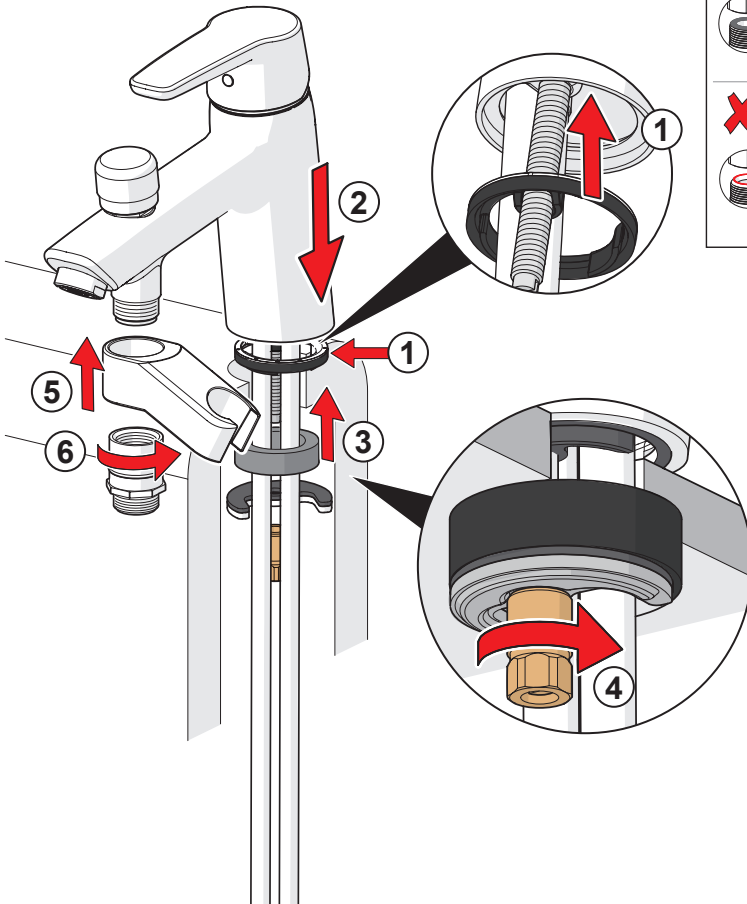
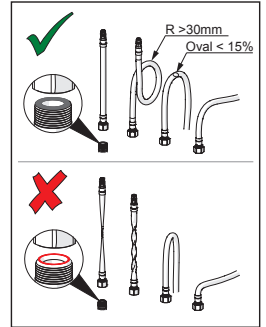


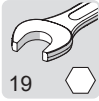
**1**





**1**

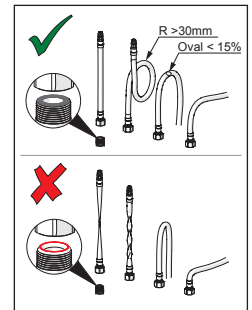
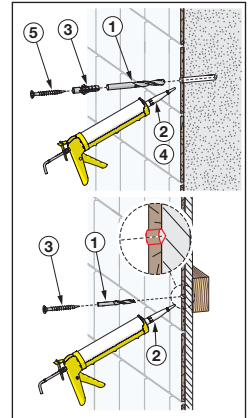
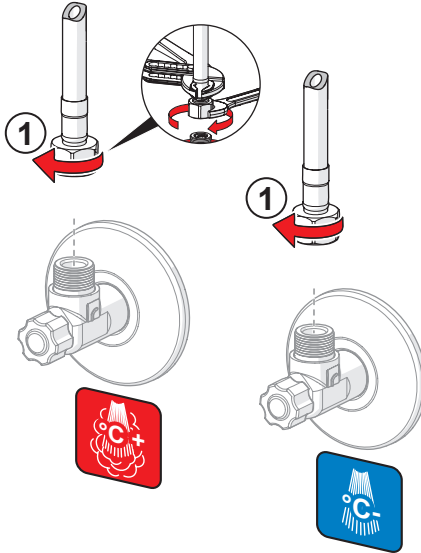




1

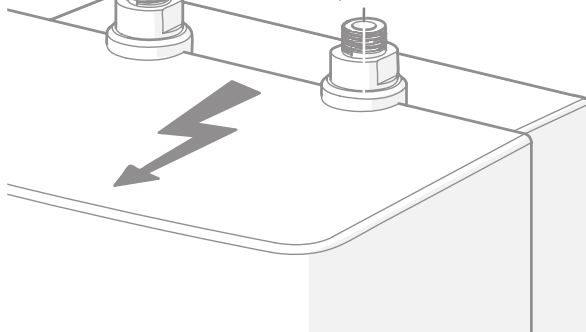
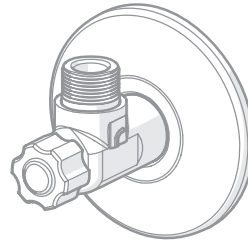
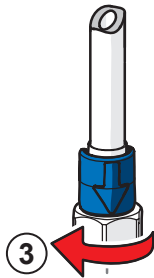
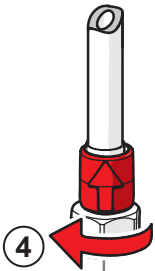
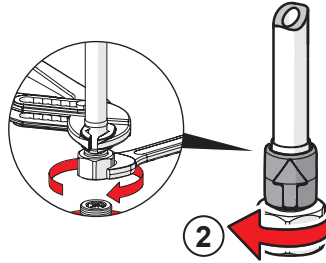
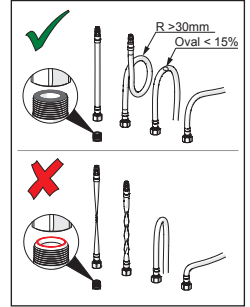
max.  
1600 kPa

2





**A**

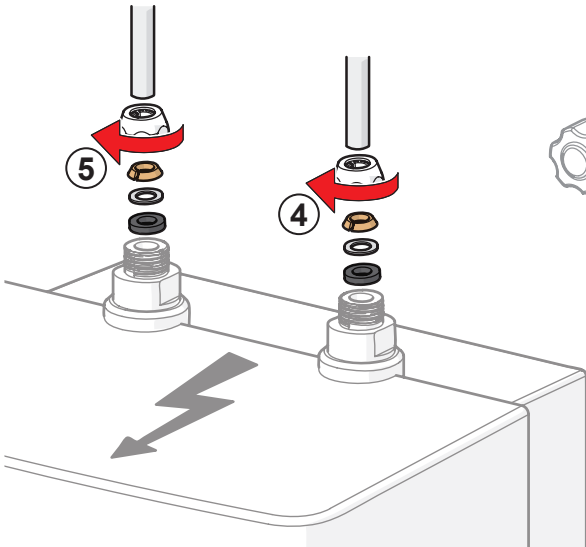
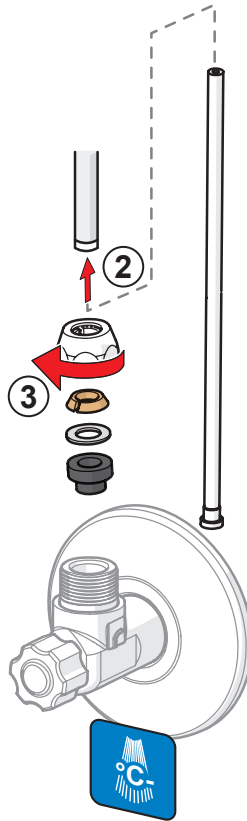
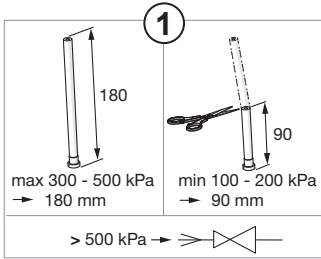


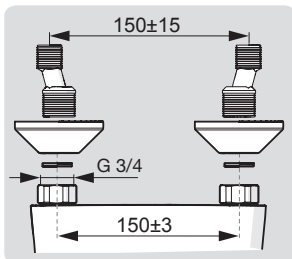
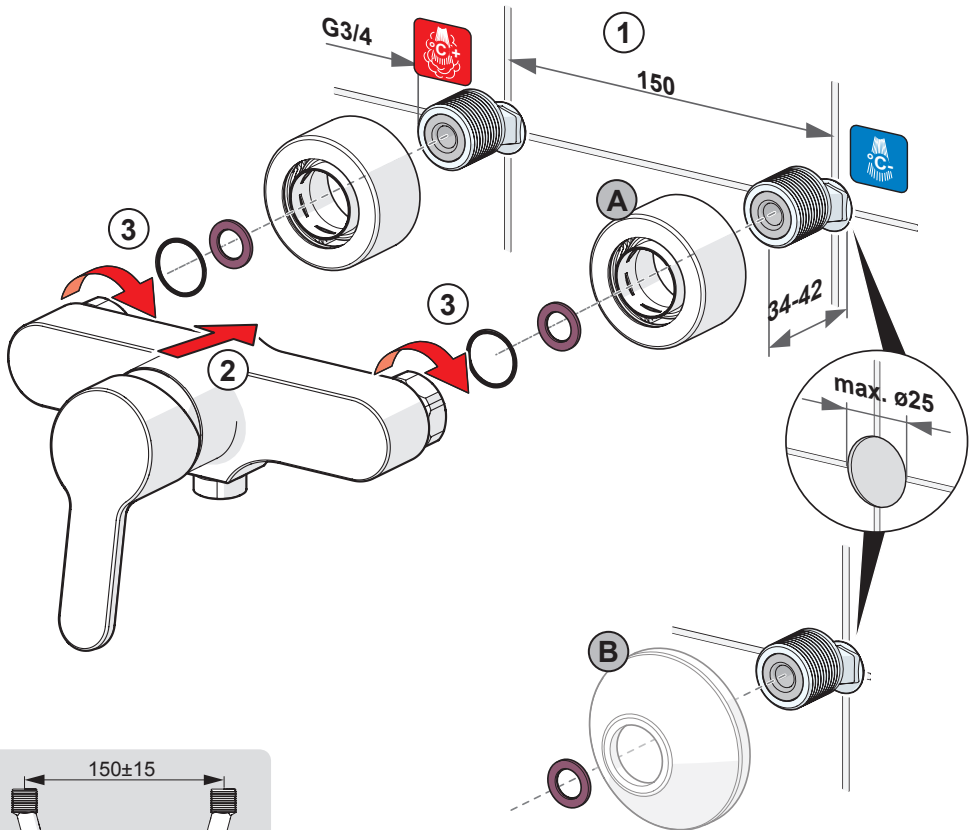
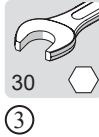
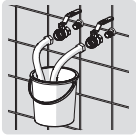
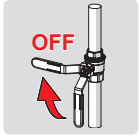


19

③④⑤

**B**

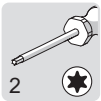
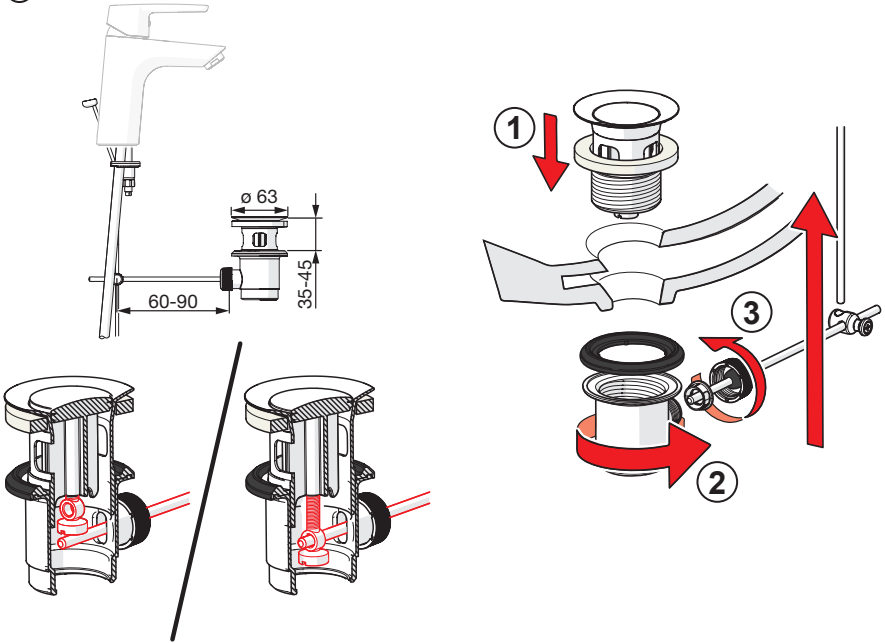




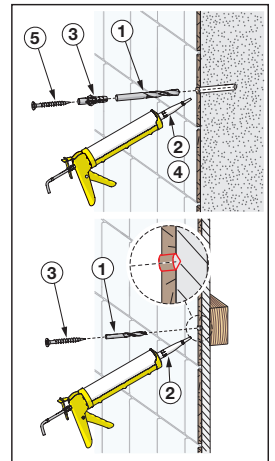
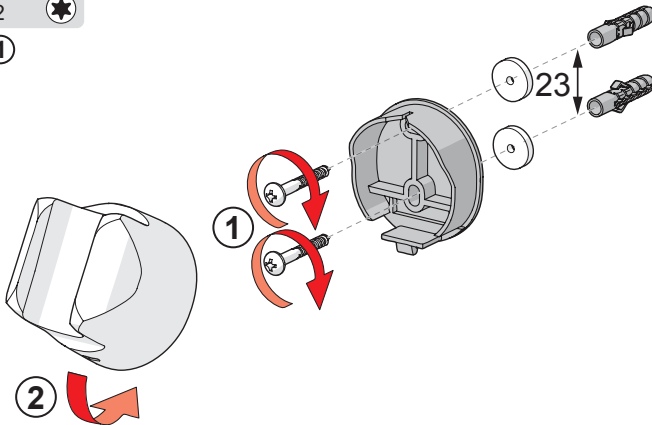


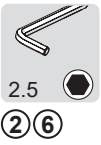
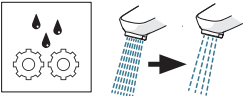
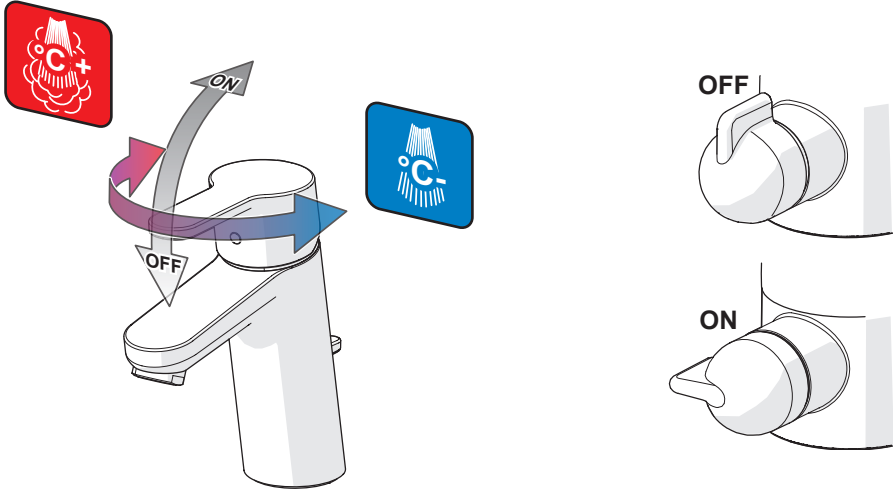


① ② ③

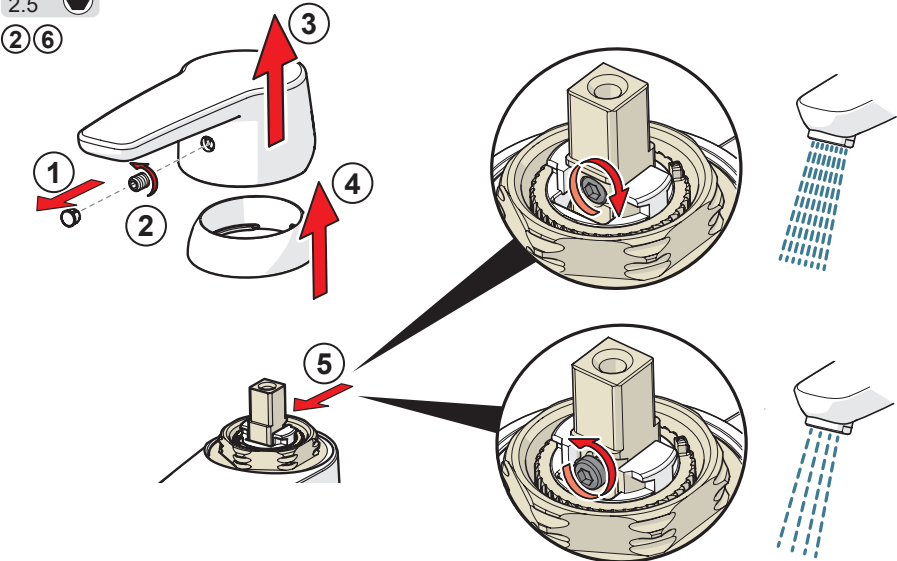


①





2.5  
② ⑥



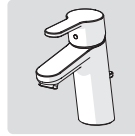


2.5

②



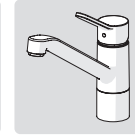
A



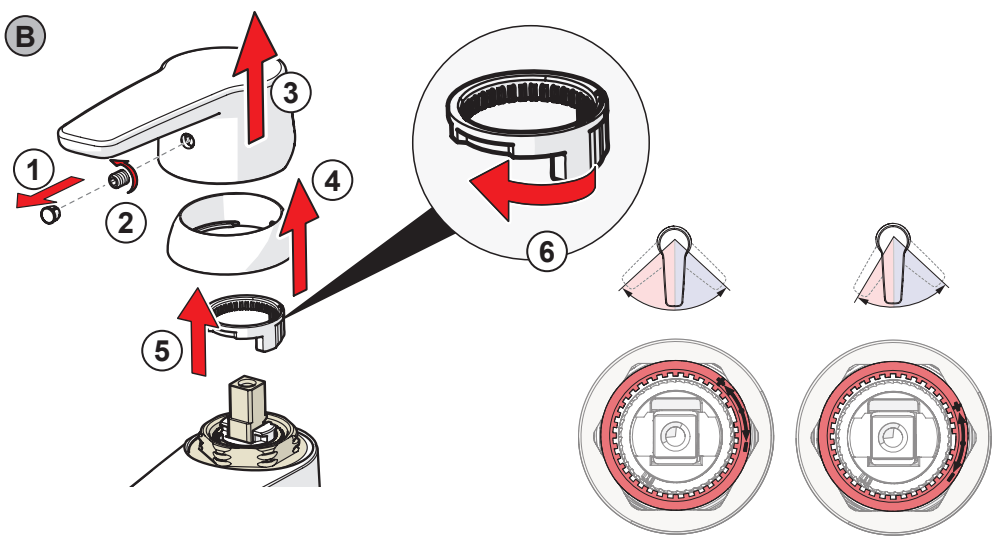
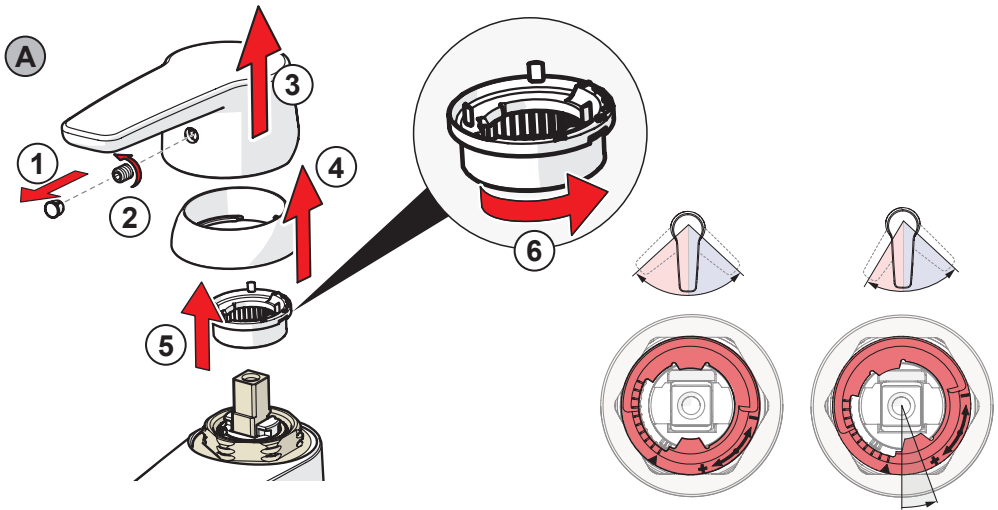
A

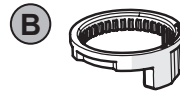
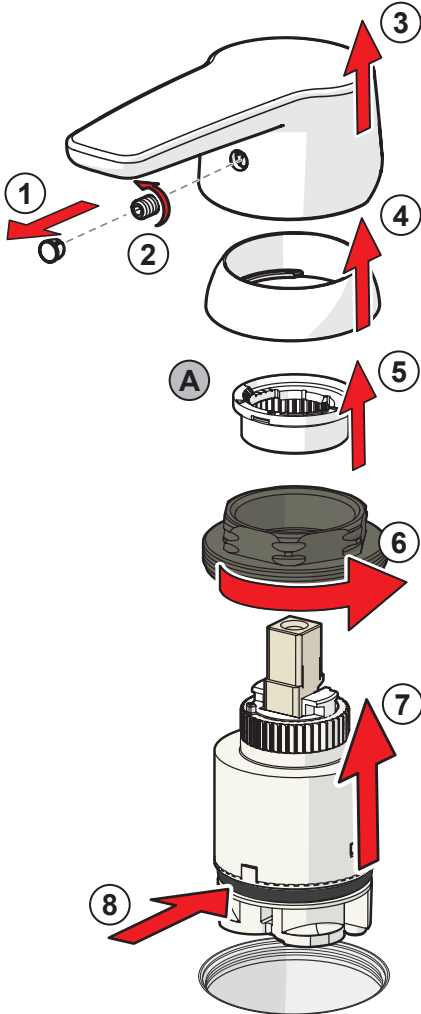
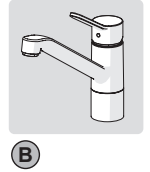
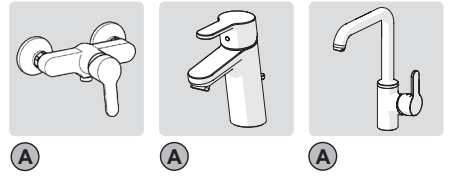
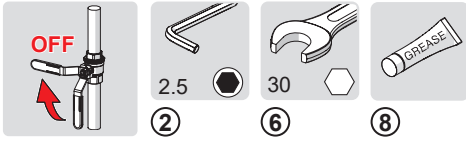


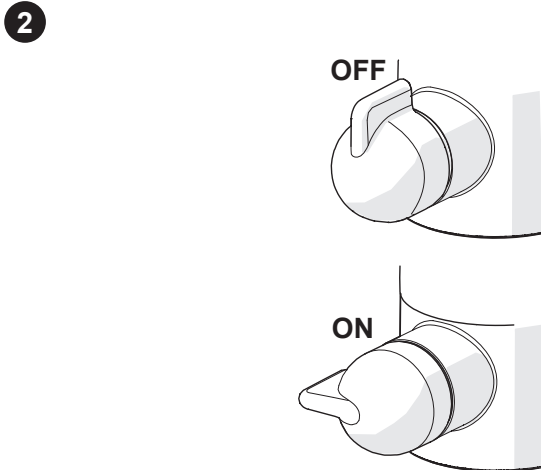
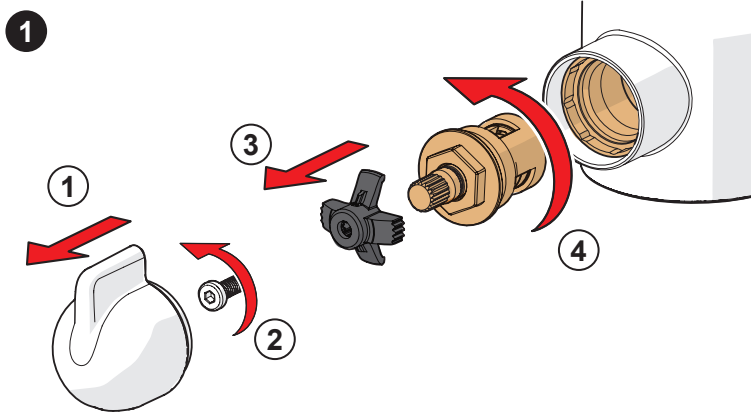
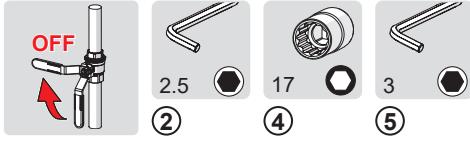
A

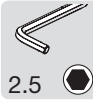


B









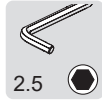
A1



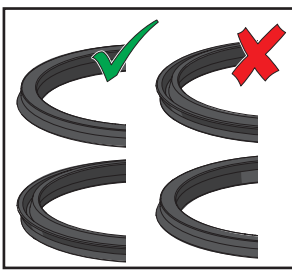
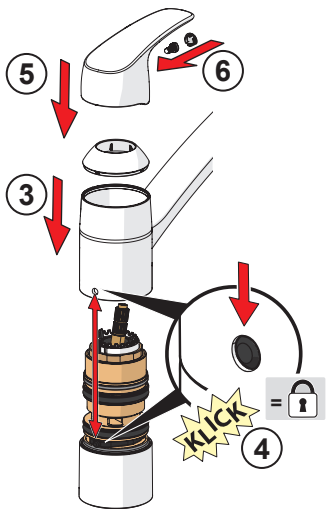
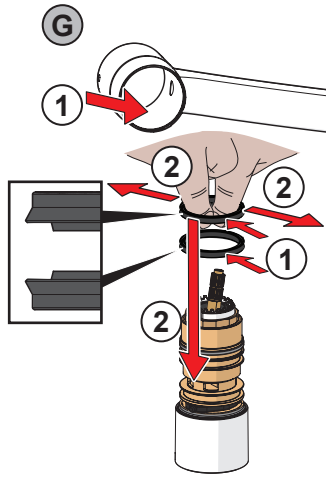
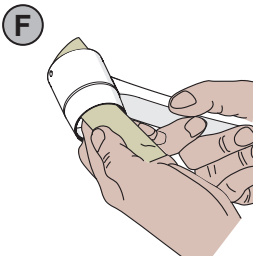
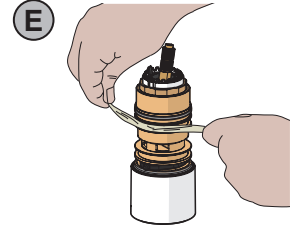
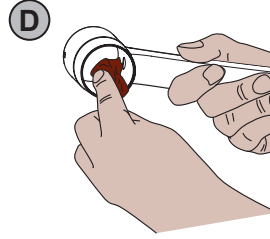
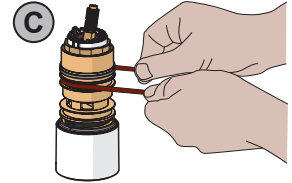
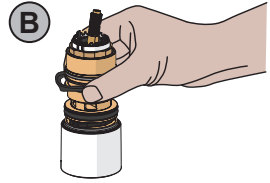
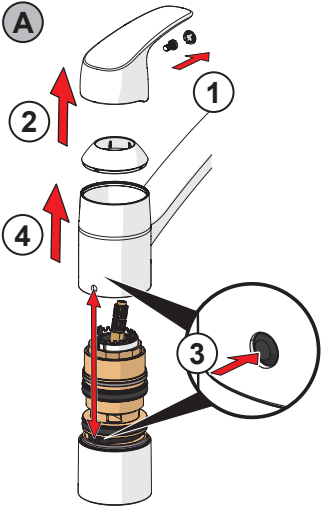
G1



G2

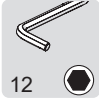


G6





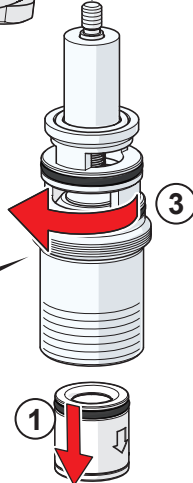
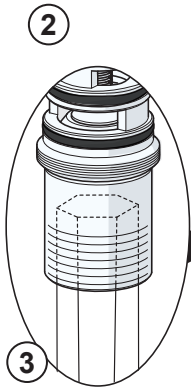
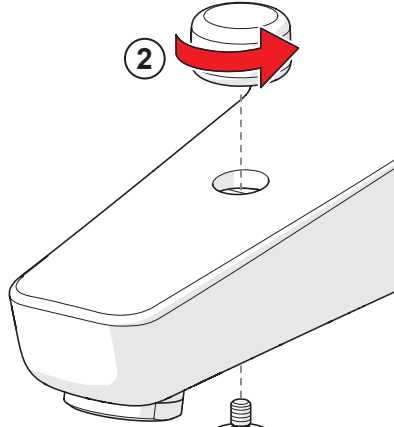
① ②

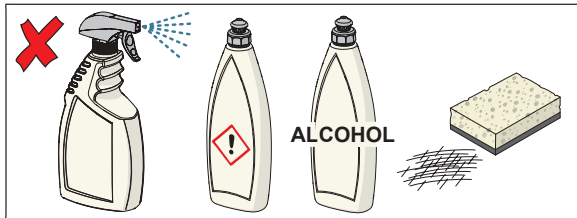
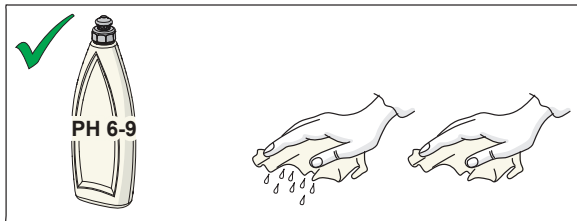
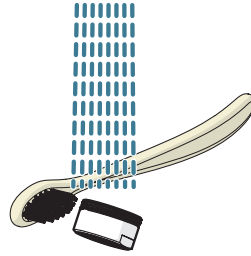
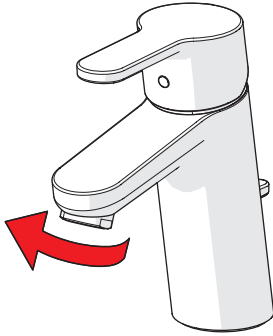


③



③





CLEANING.HANSA.COM









Oras Group is a powerful European provider of sanitary fittings: the market leader in the Nordics and a leading company in Continental Europe. The company's mission is to make the use of water easy and sustainable and its vision is to become the European leader of advanced sanitary fittings. Oras Group has two strong brands: Oras and Hansa.

The Group's head office is located in Rauma, Finland, and the Group has three manufacturing sites: Kralovice (Czech Republic), Olesno (Poland) and Rauma (Finland). Oras Group employs approximately 1,200 people in twenty countries. Oras Group is owned by Oras Invest, a family company and an industrial owner.

HANSA Armaturen GmbH  
P. O. BOX 81 02 40  
D-70519 Stuttgart  
Sigmaringer Strasse 107  
D-70567 Stuttgart  
Tel.: +49 711 16 14 0  
Fax: +49 711 16 14 368  
info@hansa.de  
www.hansa.com



943375D-01-22