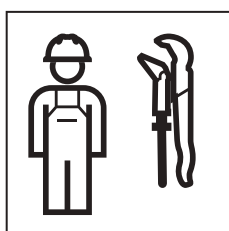


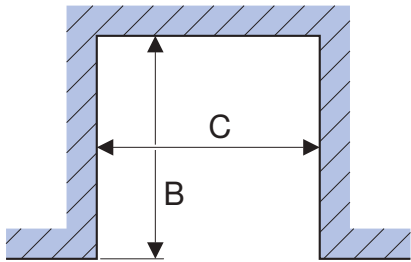
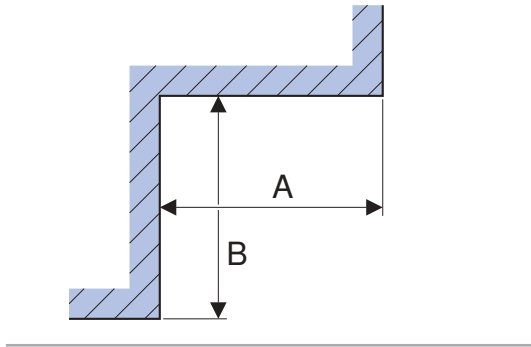
INSTALLATION MANUAL

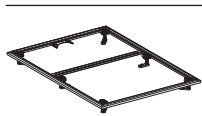
MONTAGEANLEITUNG
INSTRUCTIONS DE MONTAGE
ISTRUZIONI PER IL MONTAGGIO

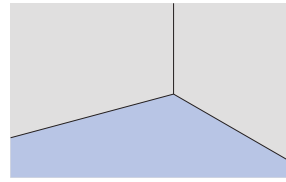


967.670.00.0(04)

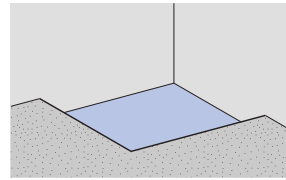




	A	B	C
75 x 170			
80 x 120			
80 x 140			
80 x 150			
80 x 160			
80 x 170			
90 x 120			
90 x 140	+ 0 ⁵	+ 0 ⁵	+ 1
90 x 160			
90 x 170			
90 x 180			
100 x 120			
100 x 140			
100 x 160			
120 x 120			



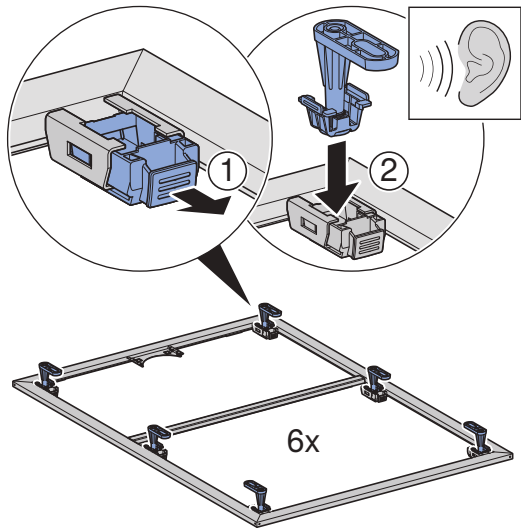
→ **1** **A**  3



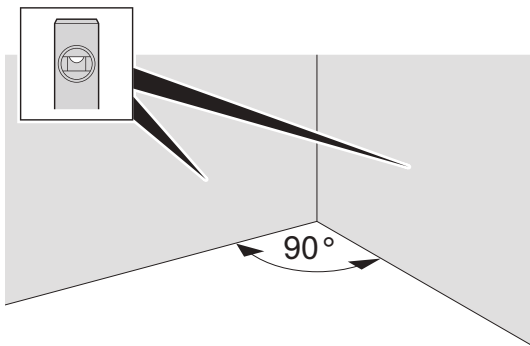
→ **1** **B**  7

1 A

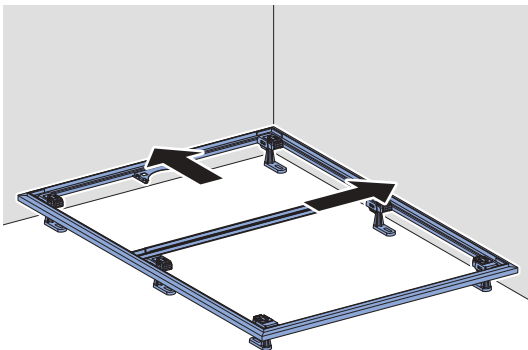
1



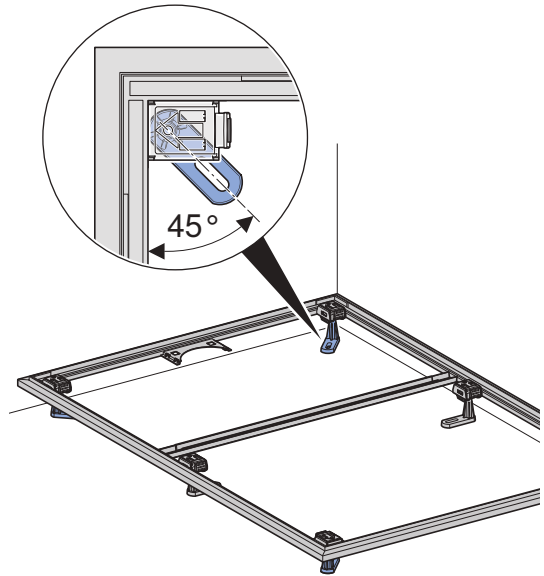
i



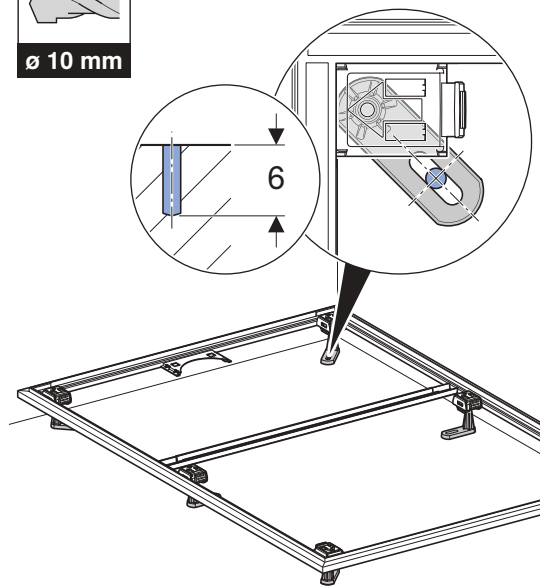
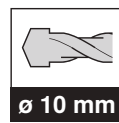
2



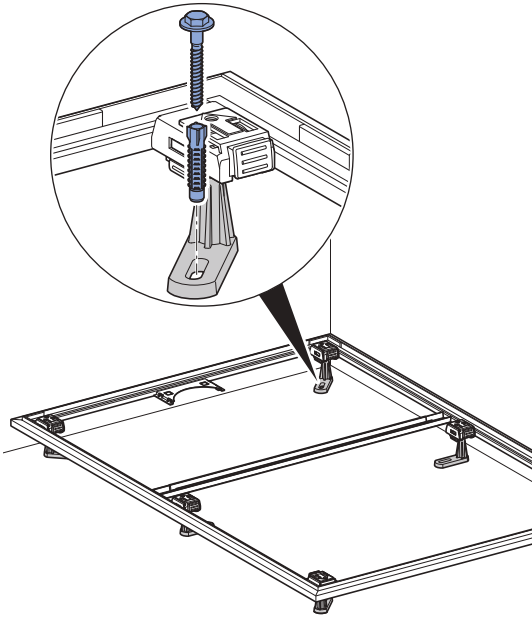
3



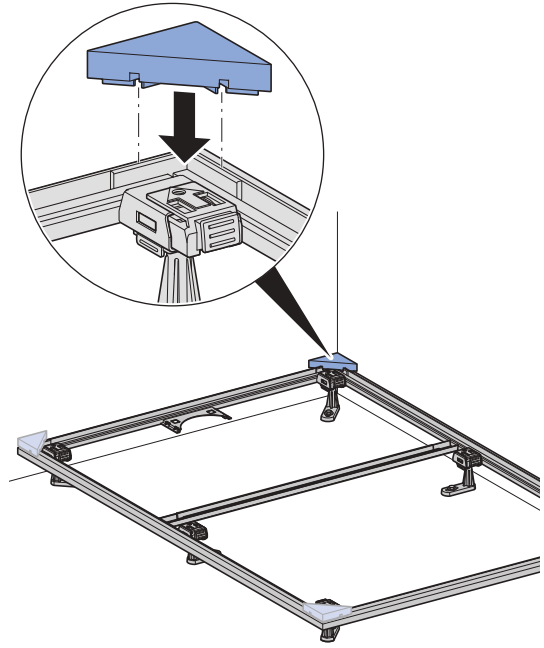
4



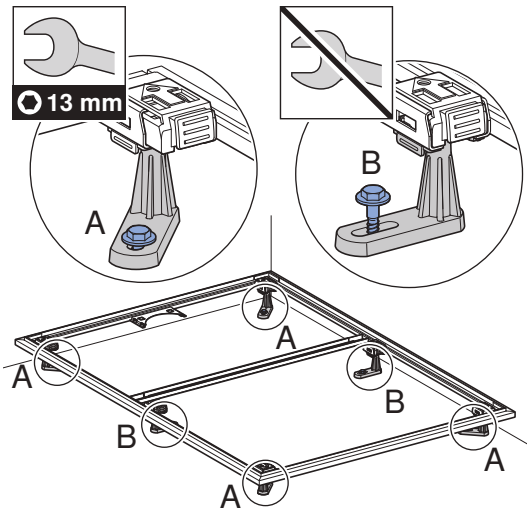
5



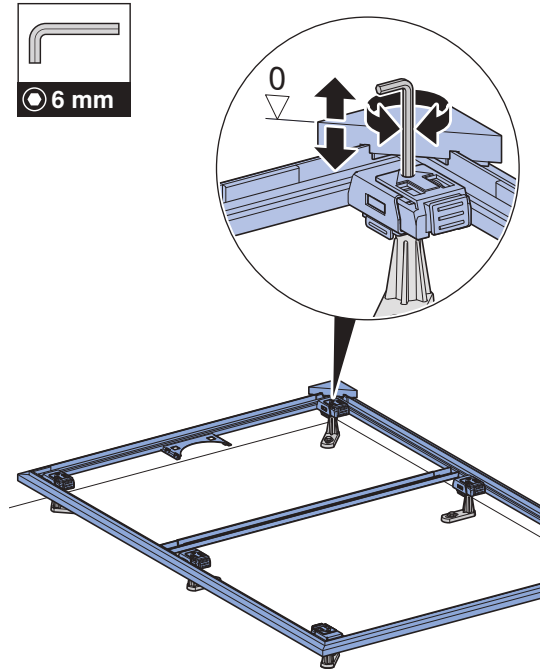
7



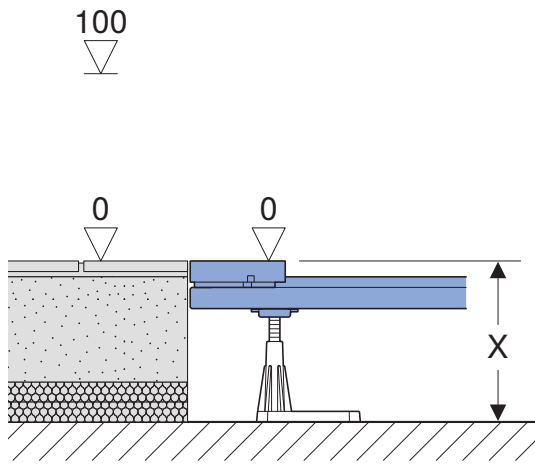
6



8



i

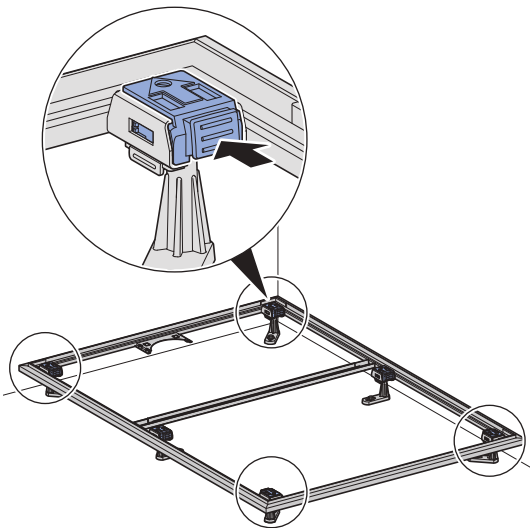


154.013.00.1
 154.014.00.1 X = 11⁵–16⁵
 154.015.00.1

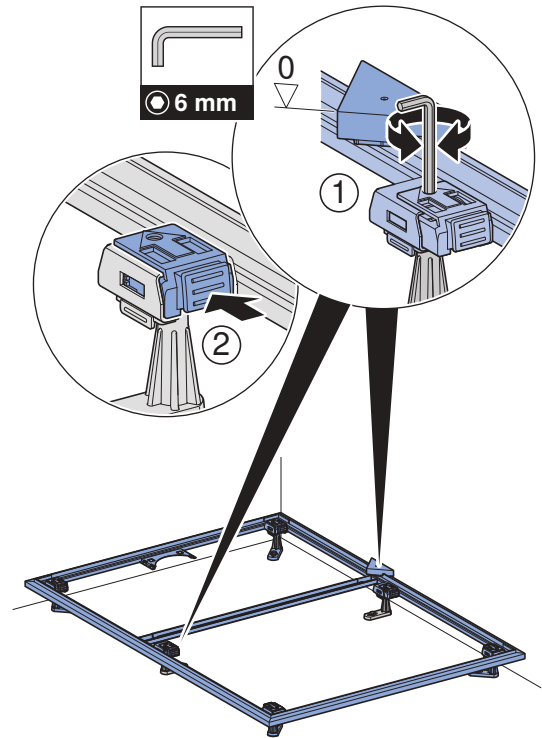
154.021.00.1 X = 9⁵–11⁵



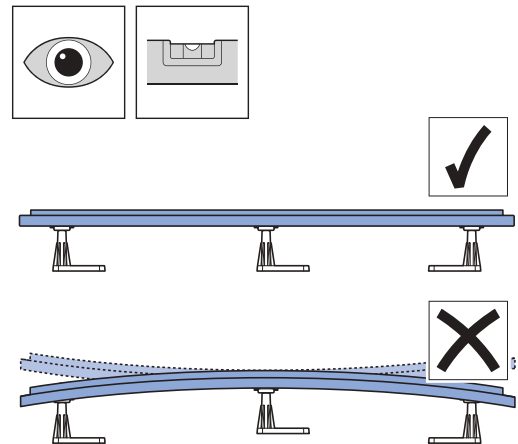
9



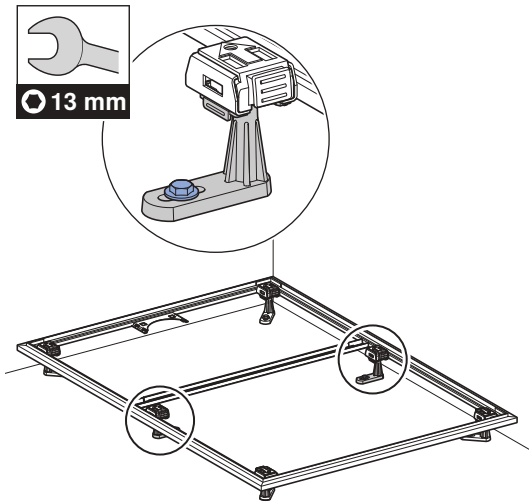
10



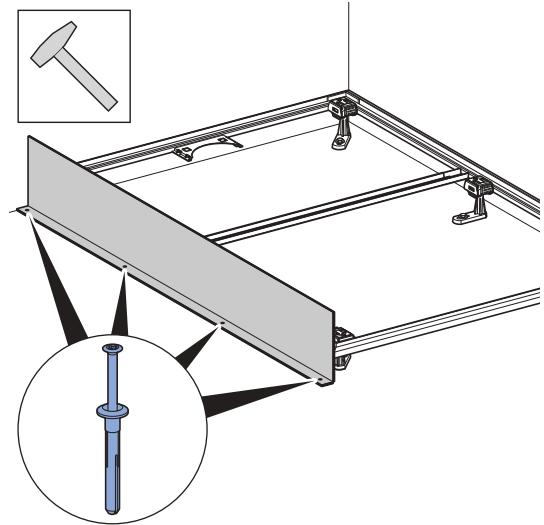
i



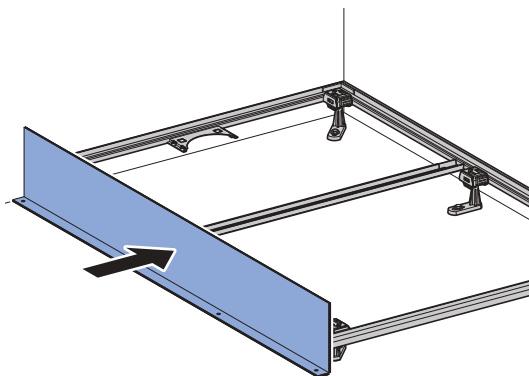
11



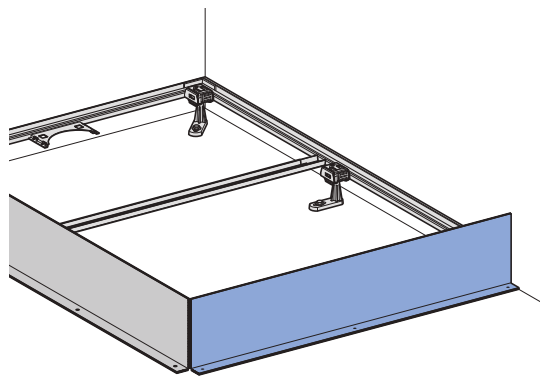
14



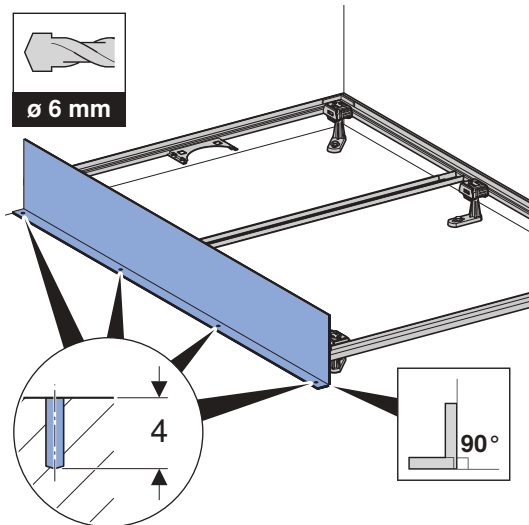
12



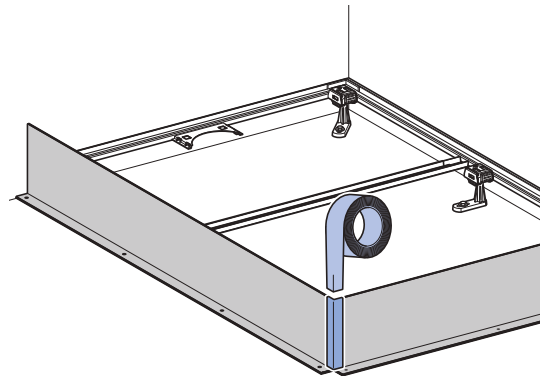
15



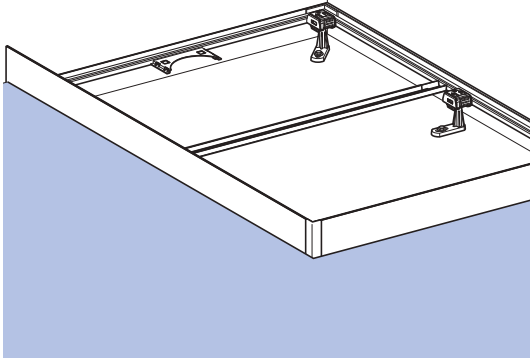
13



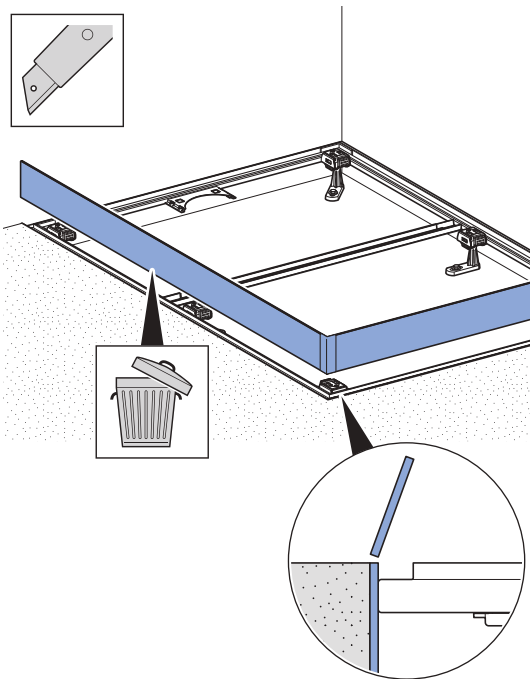
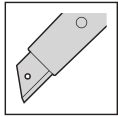
16



17



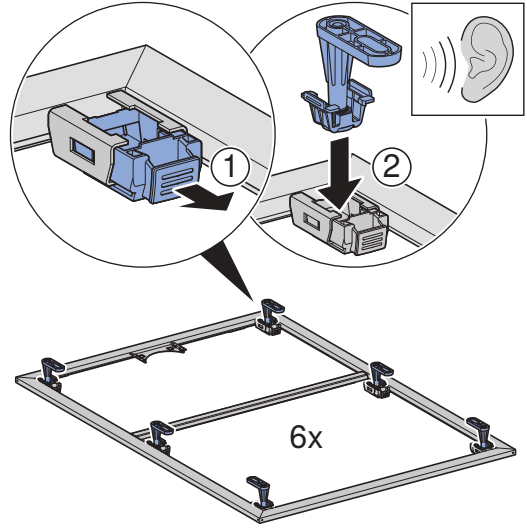
18



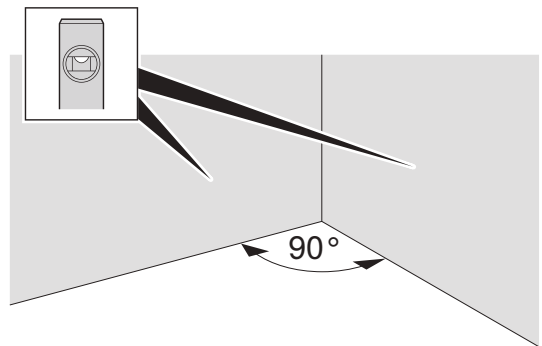
→ **2** 10

1 B

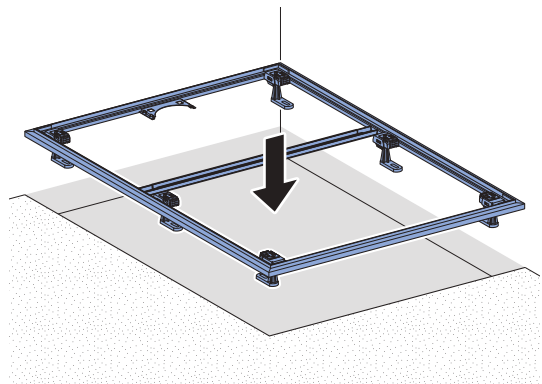
1



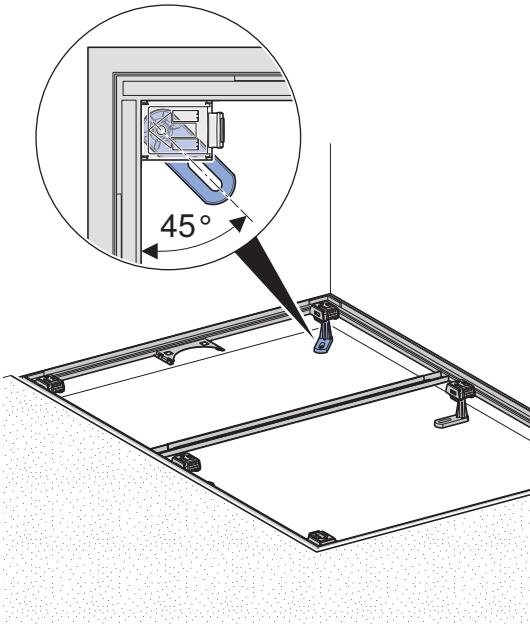
i



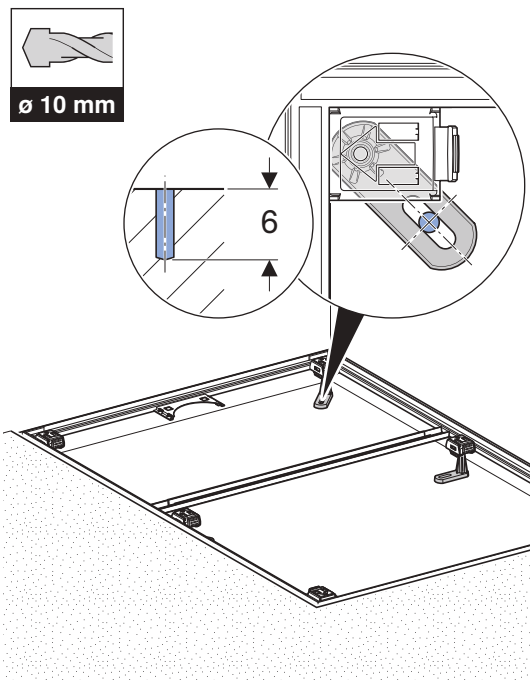
2



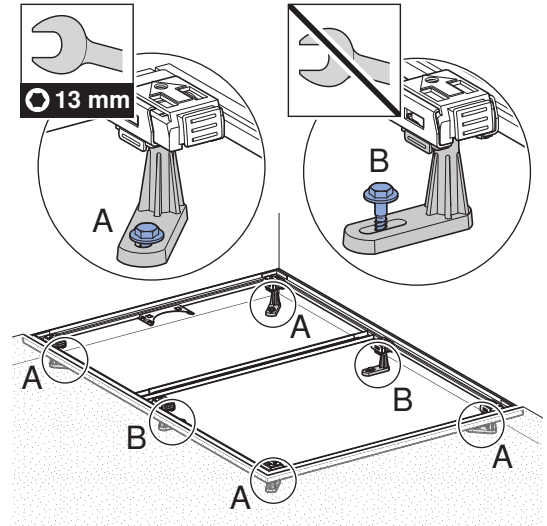
3



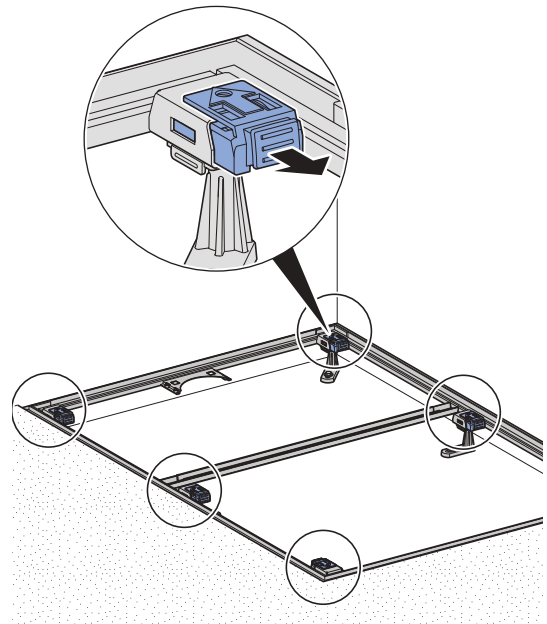
4



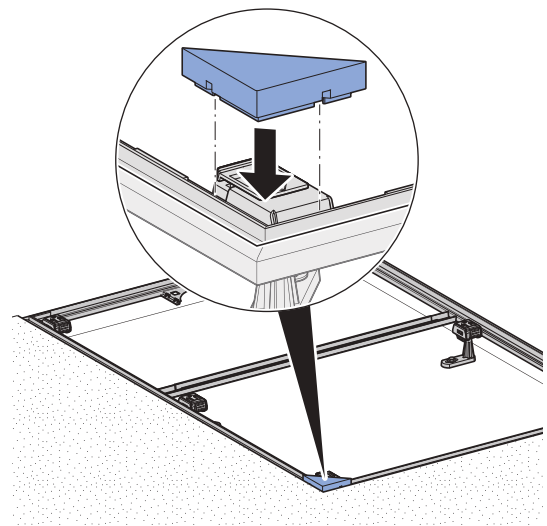
5



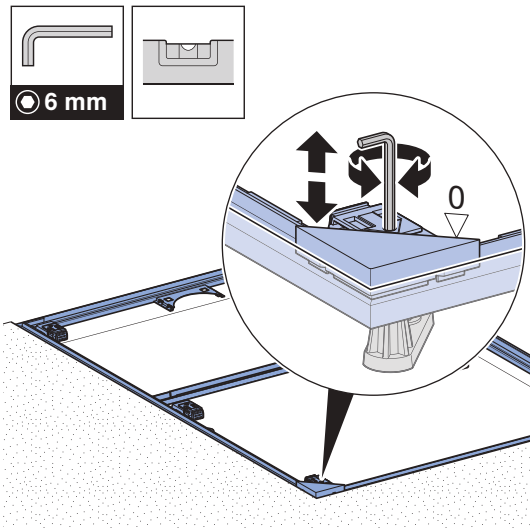
6



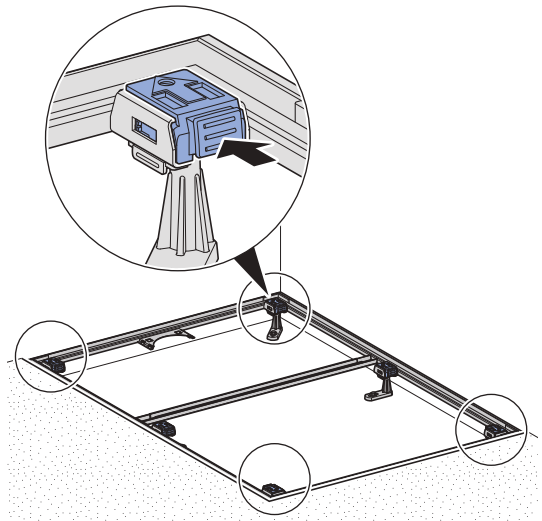
7



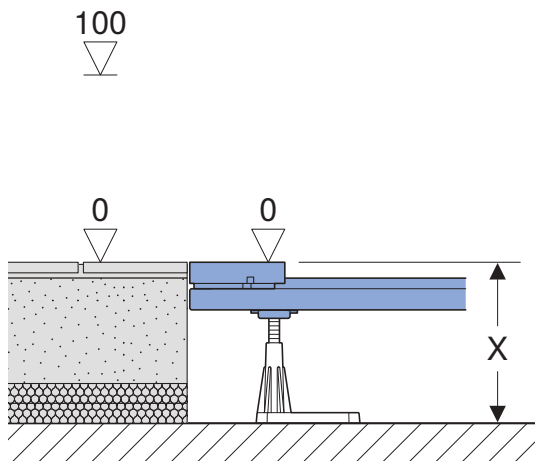
8



9



i

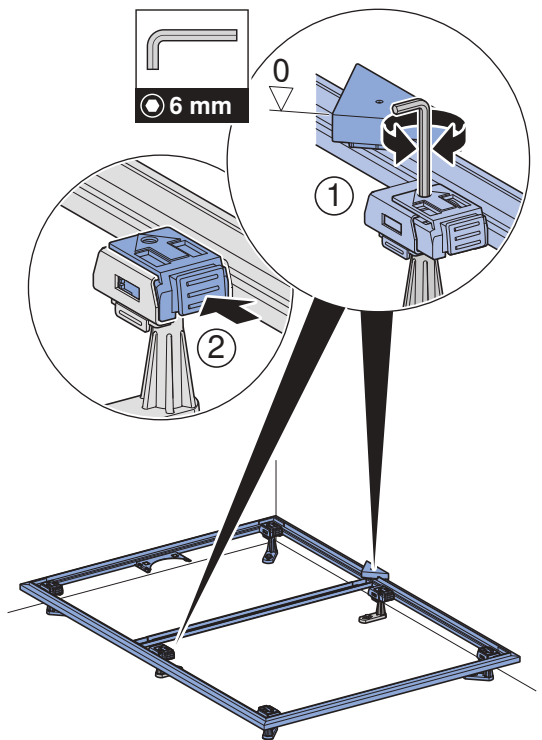


- 154.010.00.1
- 154.011.00.1 $X = 11^5 - 16^5$
- 154.012.00.1

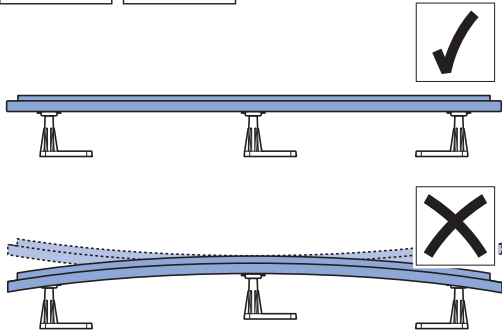
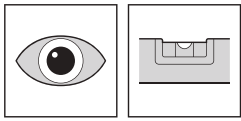
- 154.020.00.1 $X = 9^5 - 11^5$



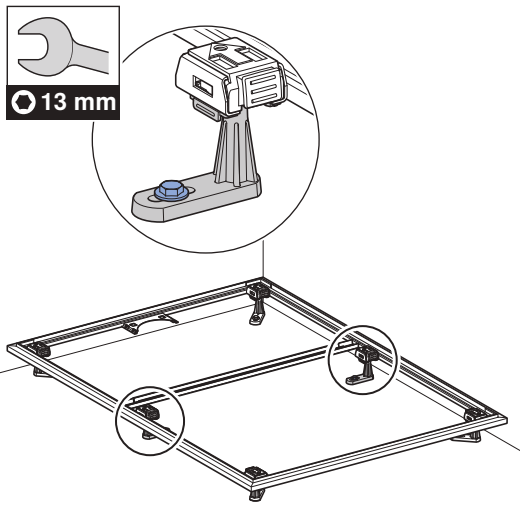
10



i



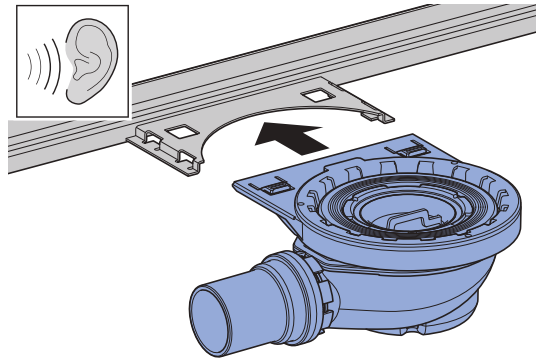
11



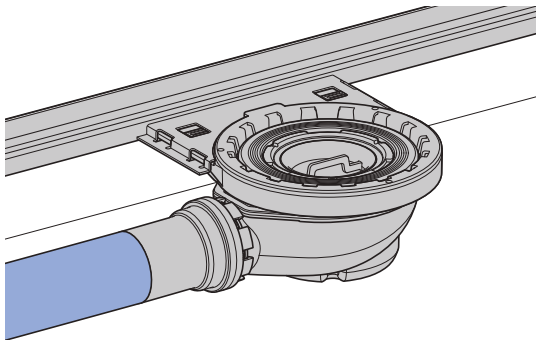
→ **2** 10

2

1



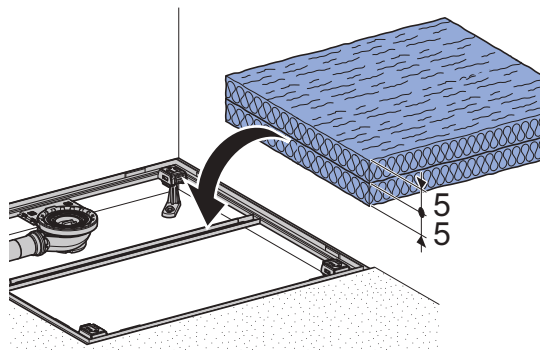
2



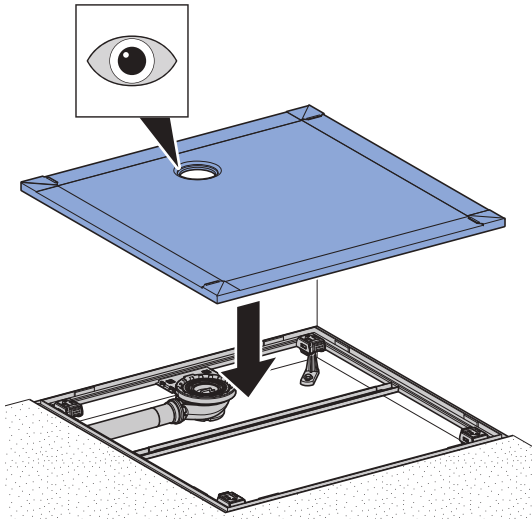
i



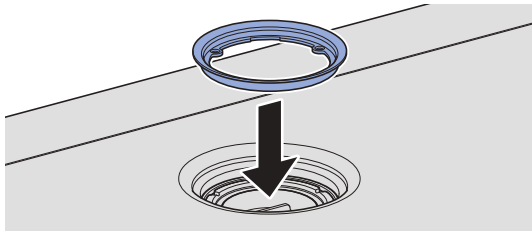
→ DIN 4109-1
→ VDI 4100



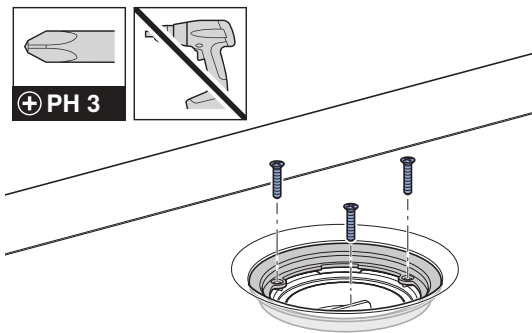
3



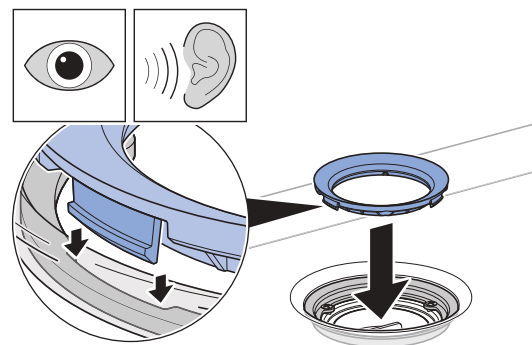
4



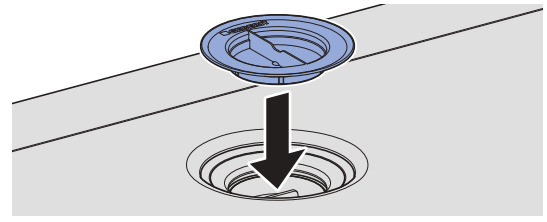
5



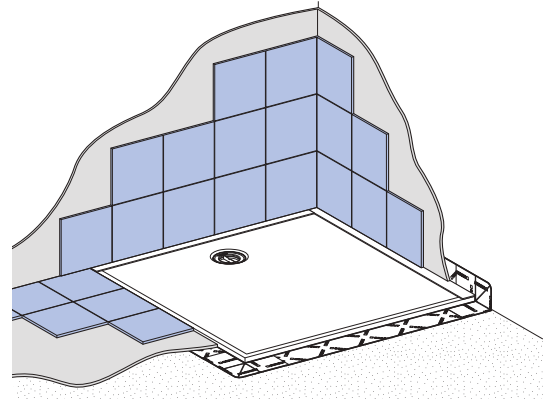
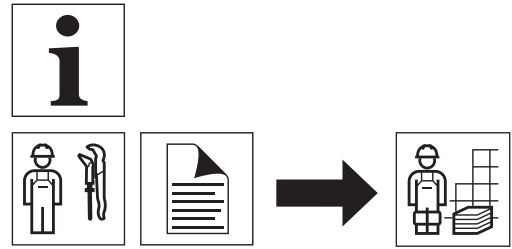
6



7

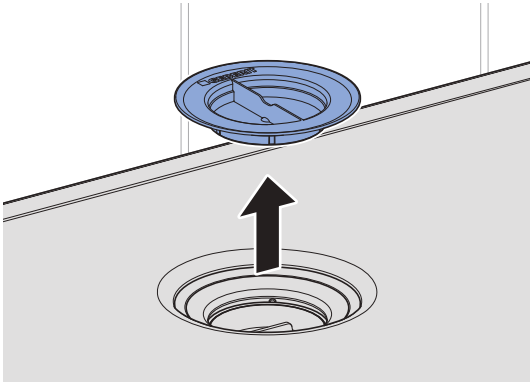


8

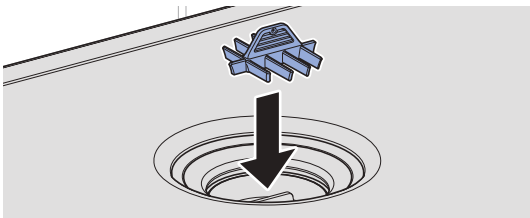


3

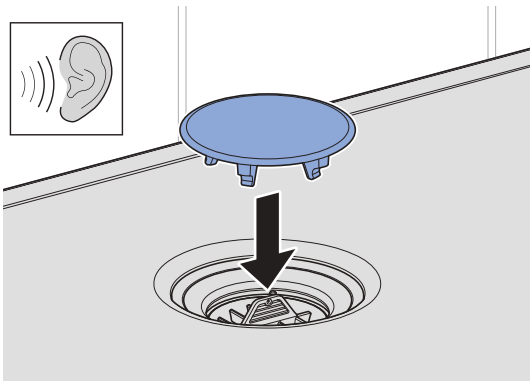
1



2



3



Geberit International AG
Schachenstrasse 77, CH-8645 Jona
documentation@geberit.com
www.geberit.com

