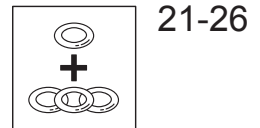
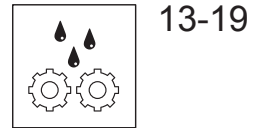
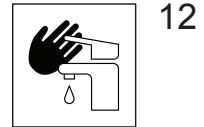


HANSA

INSTALLATION AND MAINTENANCE GUIDE

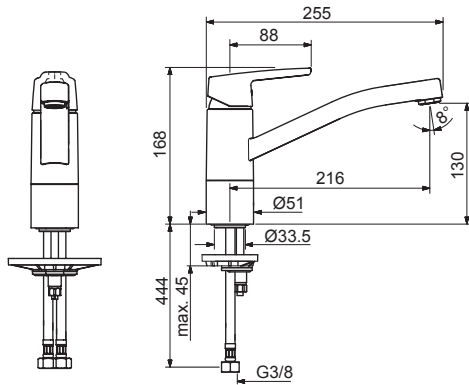




5148 2293

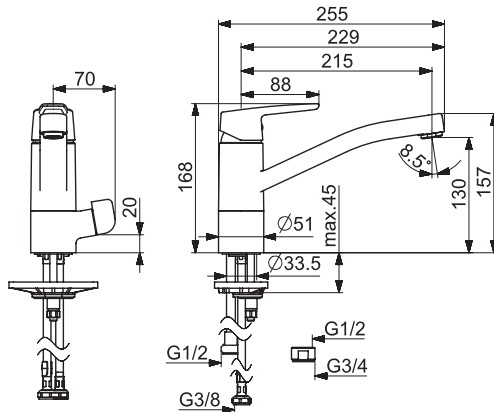
I (ISO3822)
EN 817
50 - 1000 kPa
0.20 l/s (300 kPa)
max. +80°C

NW-6506BP0361
U P-IX 28366/IO



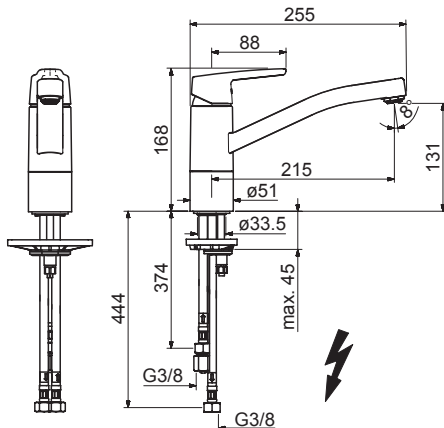
5266 2293

I (ISO 3822)
EN 817
50 - 1000 kPa
0.20 l/s (300 kPa)
max. +80°C



5159 1193

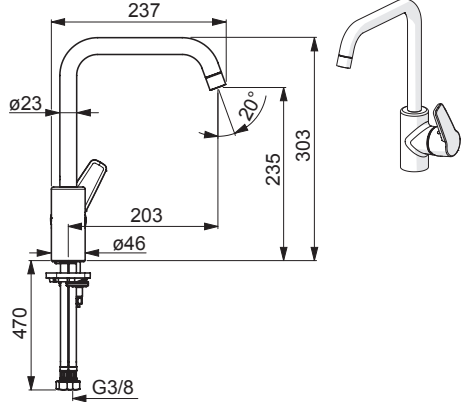
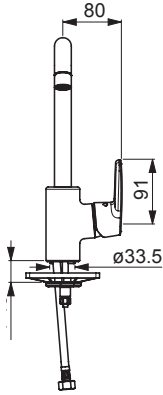
I (ISO3822)
EN 817
50 - 500 kPa
0.12 l/s (300 kPa)
max. +80°C





5156 2293

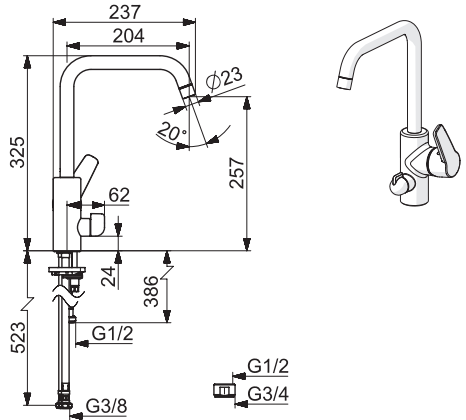
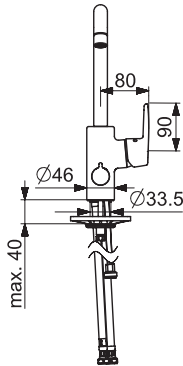
50 - 1000 kPa
0.20 l/s (300 kPa)
max. +80°C



NW-6506BP0361
U P-IX 29209/IA

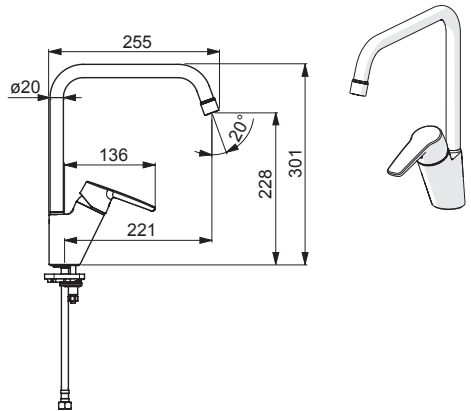
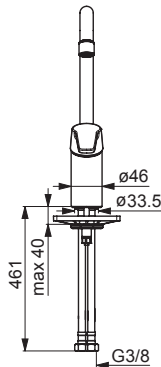
5160 2293

EN 817
50 - 1000 kPa
0.20 l/s (300 kPa)
max. +80°C



5270 2293

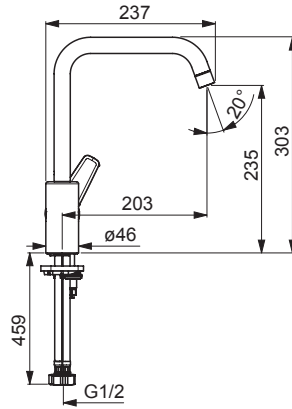
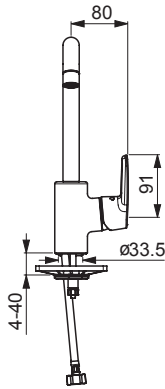
EN 817
50 - 1000 kPa
0.17 l/s (300 kPa)
max. +80°C





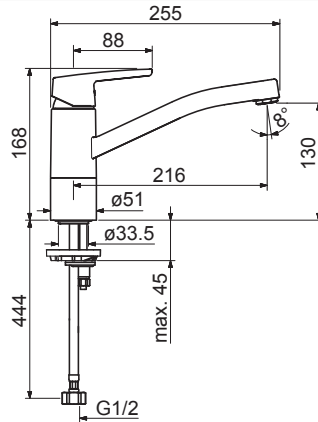
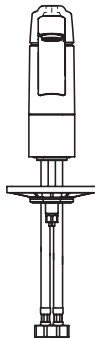
5156 2293 0037

EN 817
50 - 1000 kPa
0.12 l/s (300 kPa)
max. +80°C



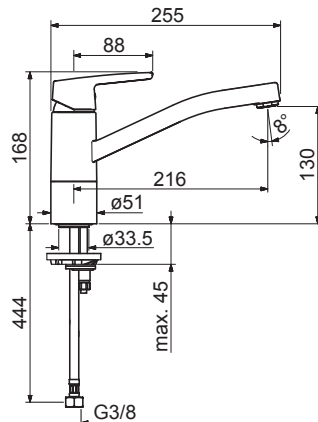
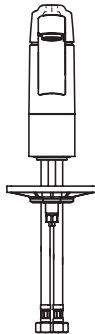
5148 2293 0037

EN 817
50 - 1000 kPa
0.12 l/s (300 kPa)
max. +80°C



5148 2293 00676

EN 817
50 - 1000 kPa
0.2 l/s (300 kPa)
max. +80°C



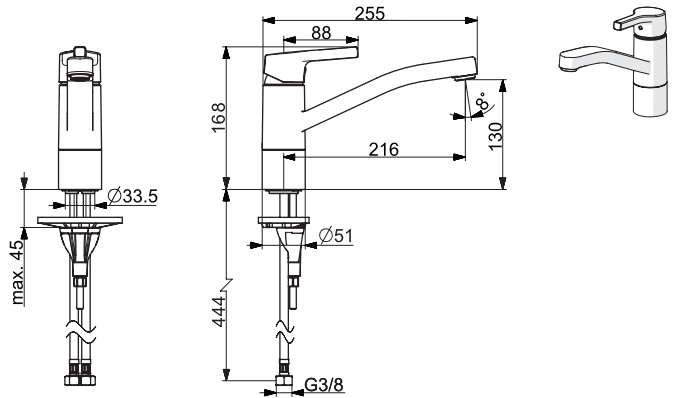


5653 2203

I (ISO3822)
 EN 817
 50 - 1000 kPa
 0.20 l/s (300 kPa)
 max. +80°C

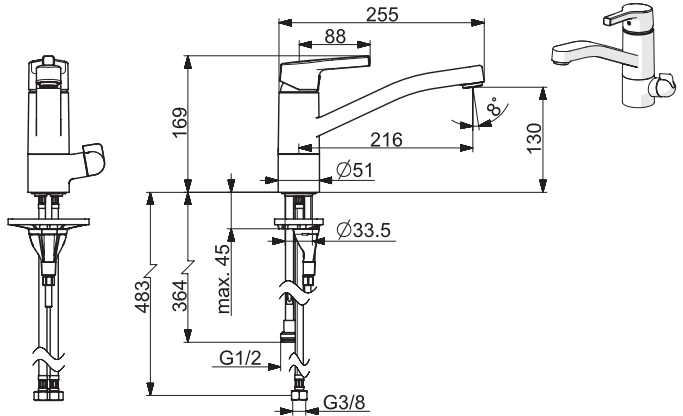
DW-6506CS0548

UP-IX 29500/1A



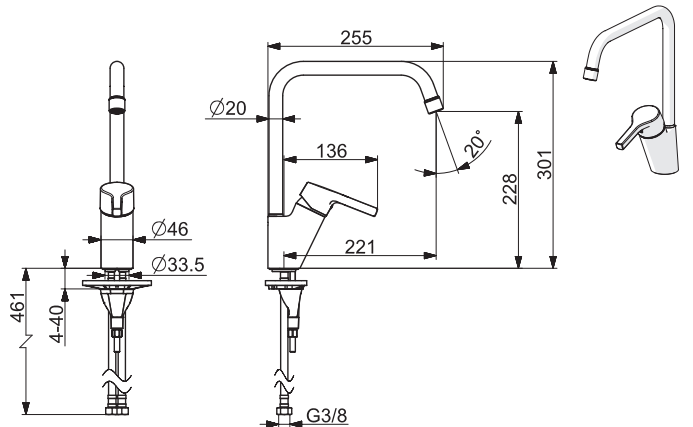
5654 2203

I (ISO3822)
 EN 817
 50 - 1000 kPa
 0.15 l/s (300 kPa)
 max. +90°C



5650 2203

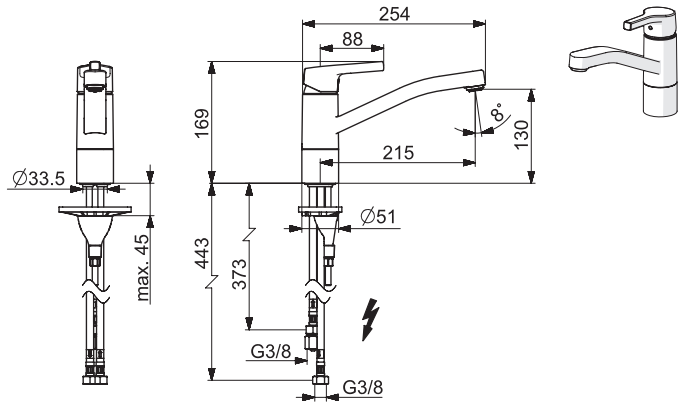
I (ISO3822)
 EN 817
 50 - 1000 kPa
 0.2 l/s (300 kPa)
 max. +90°C





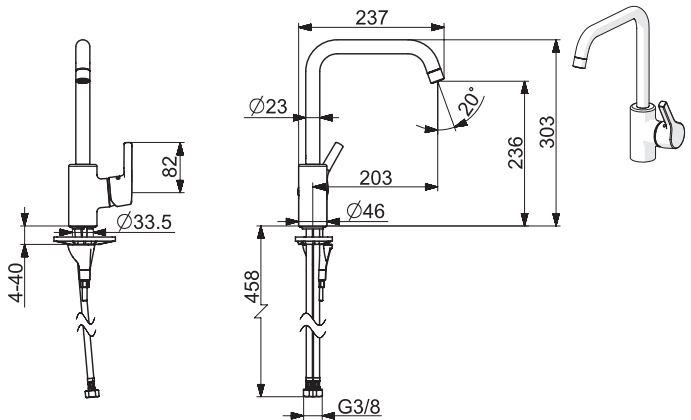
5648 1103

I (ISO3822)
EN 817
50 - 500 kPa
0.08 l/s (300 kPa)
max. +80°C



5652 2203

I (ISO3822)
EN 817
50 - 1000 kPa
0.2 l/s (300 kPa)
max. +90°C

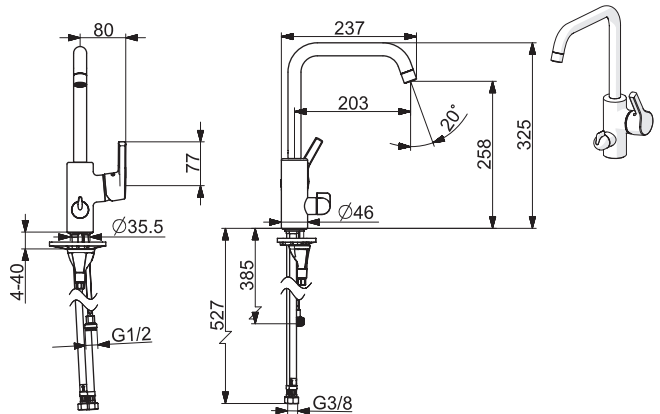


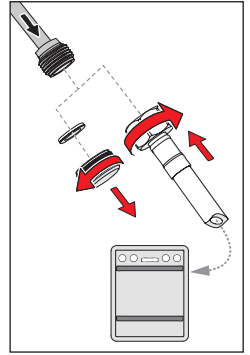
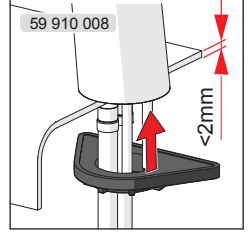
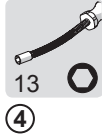
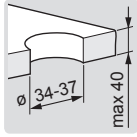
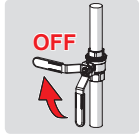
DW-6506CS0548

U P-IX 29501/IA

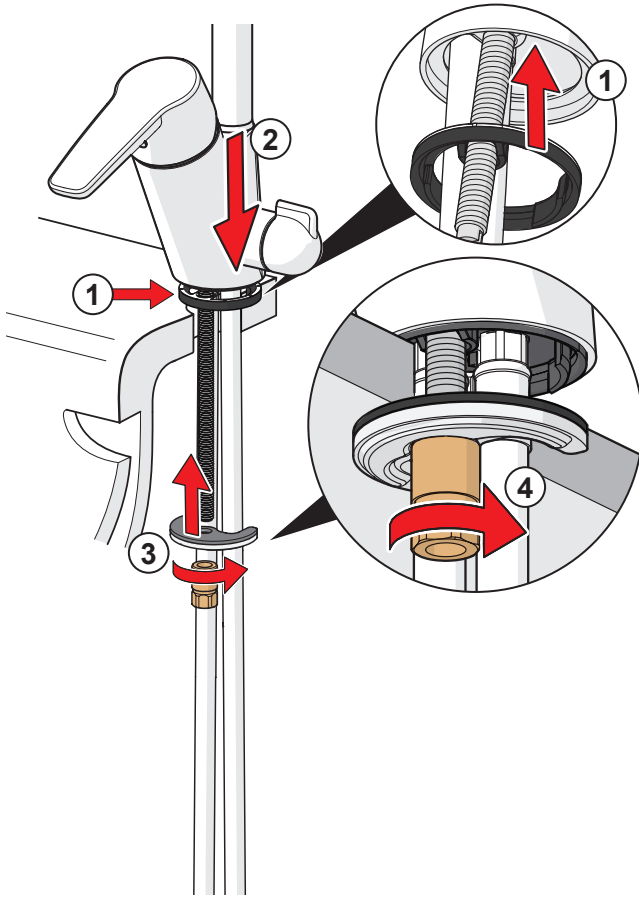
5649 2203

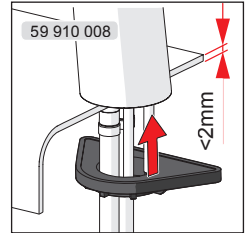
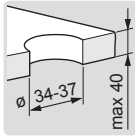
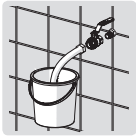
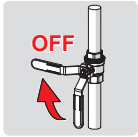
I (ISO3822)
EN 817
50 - 1000 kPa
0.2 l/s (300 kPa)
max. +90°C



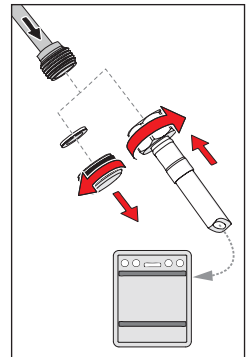
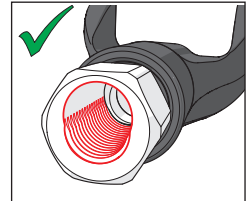
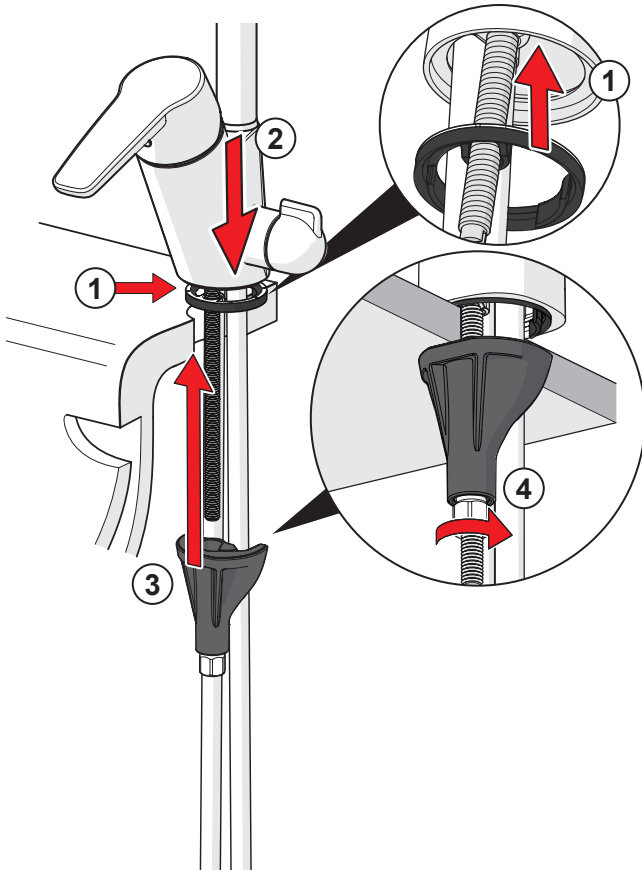


A





B



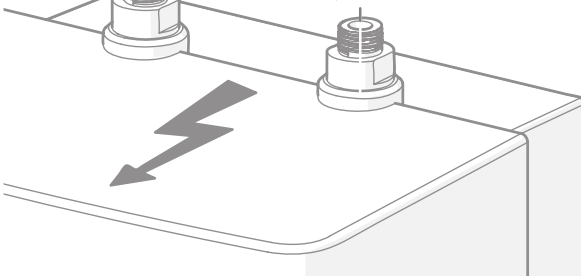
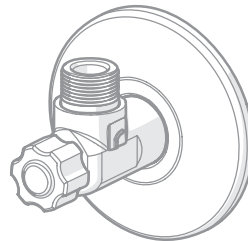
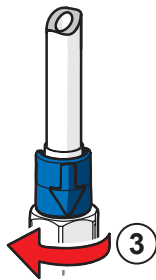
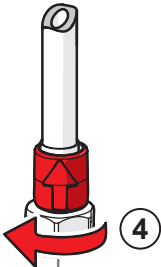
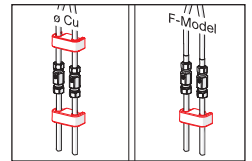
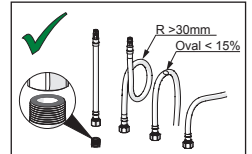
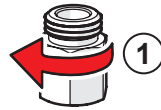
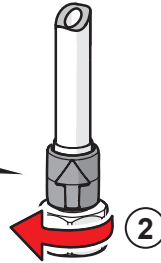
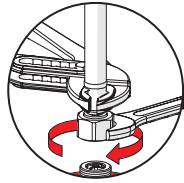


19



①②③④

2

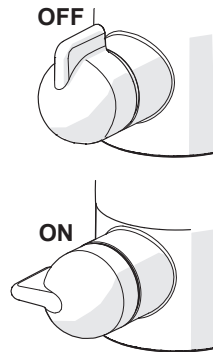
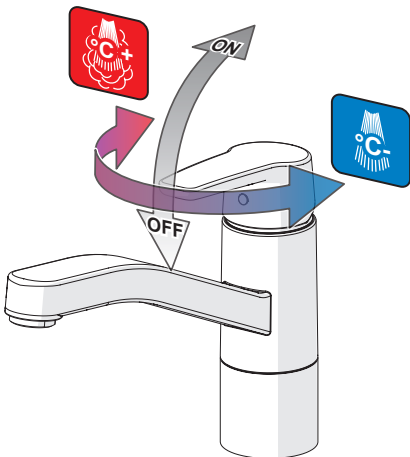
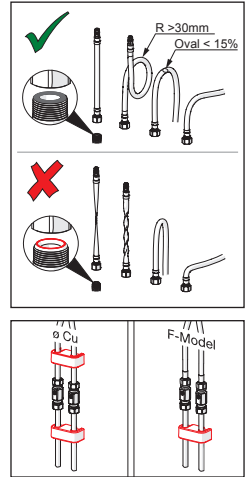
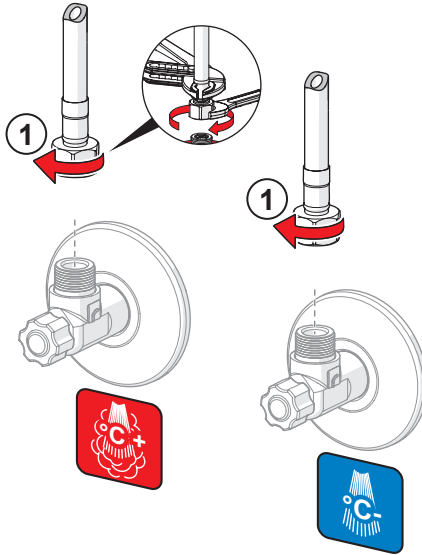


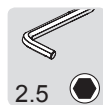


①

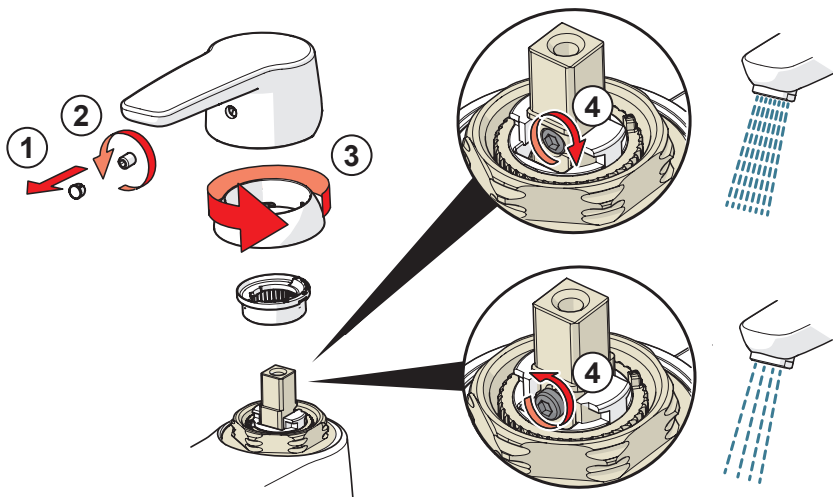
max.
1600 kPa

②

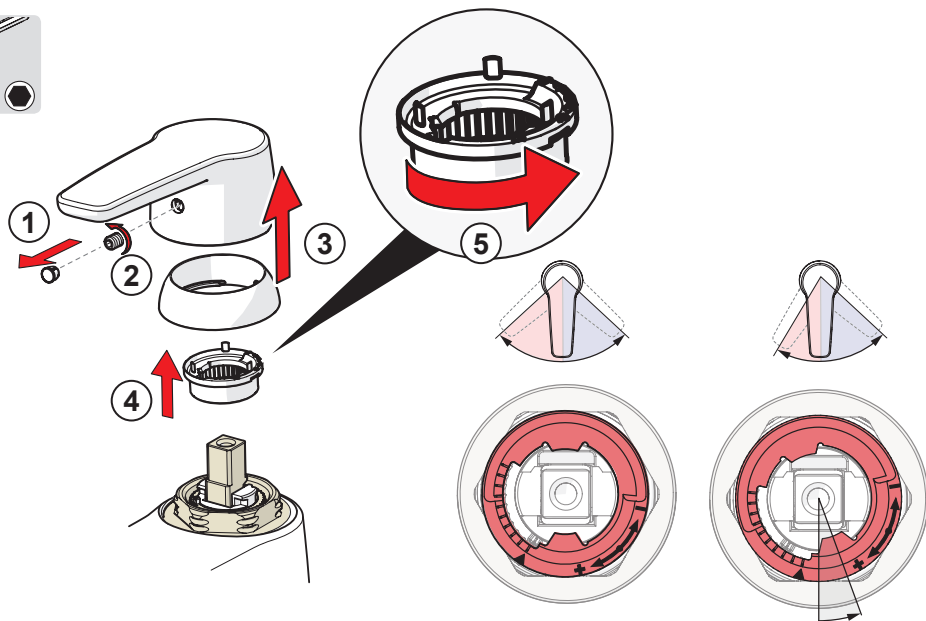


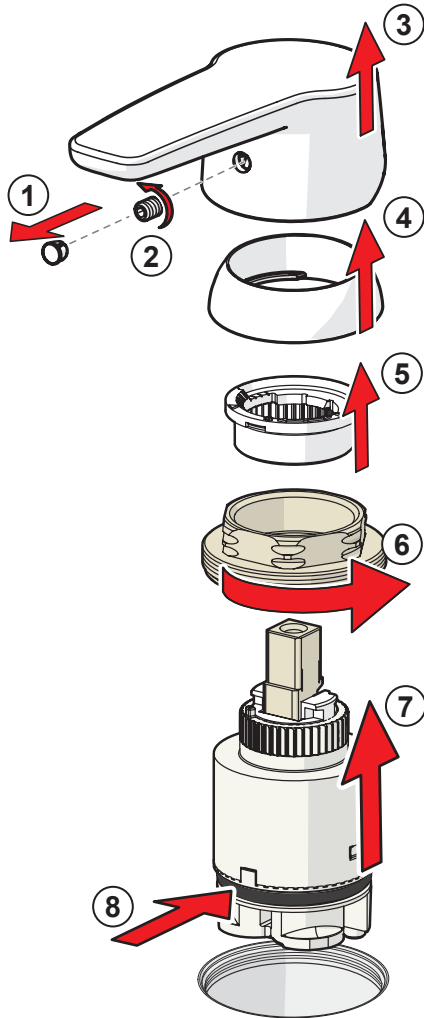
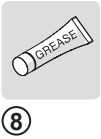
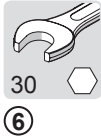
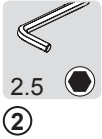
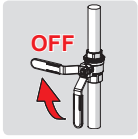


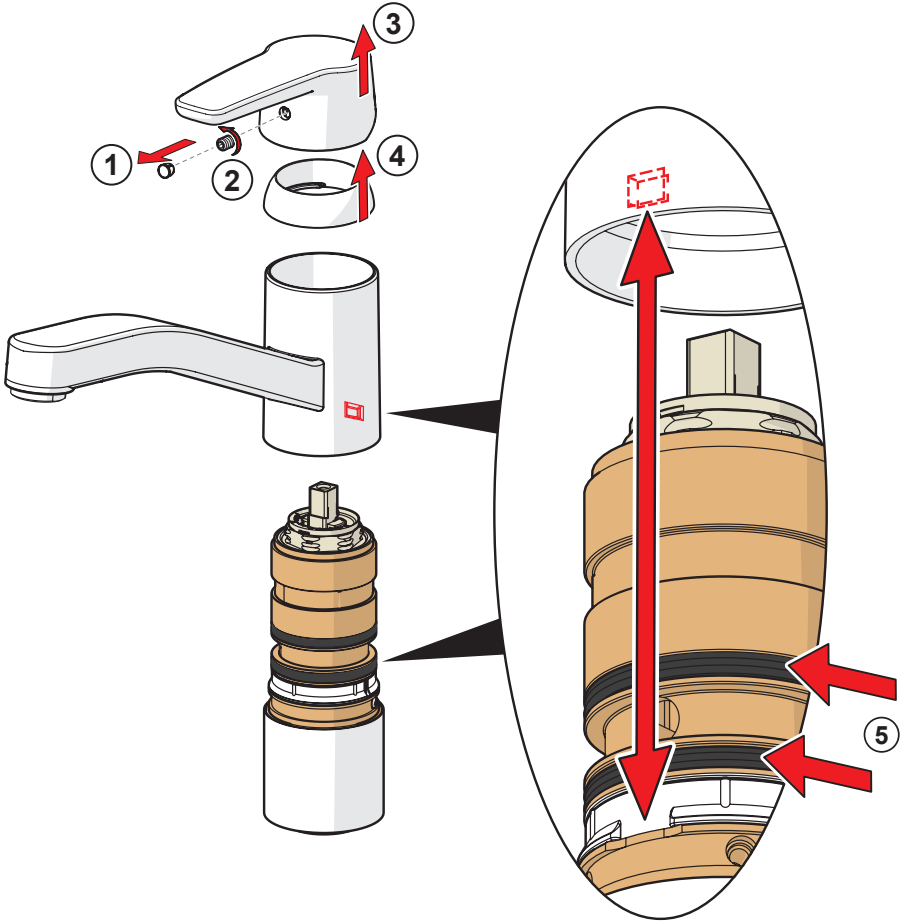
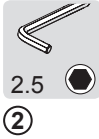
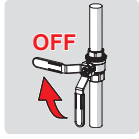
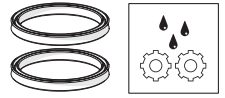
②

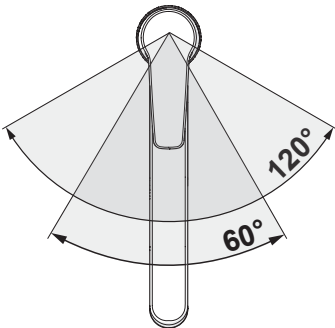
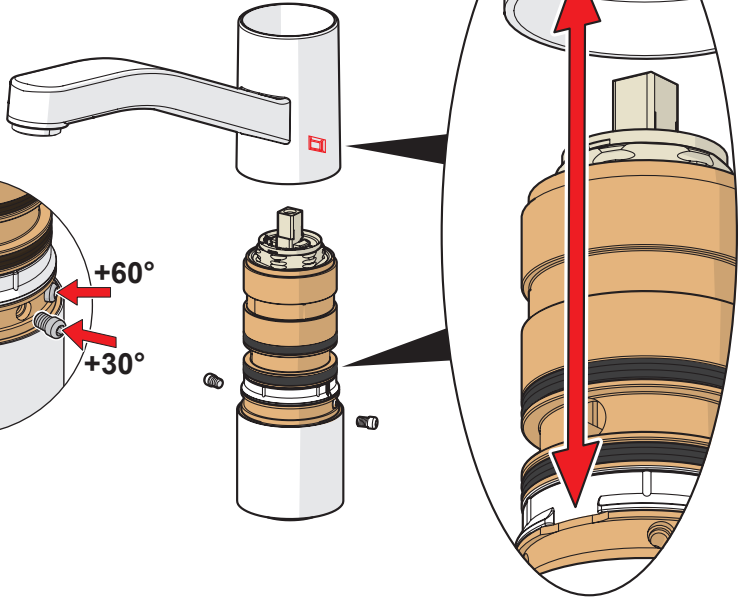
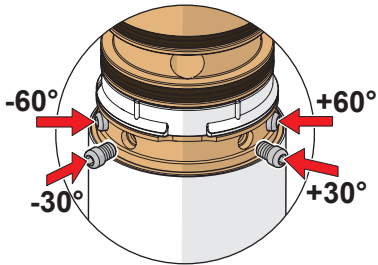
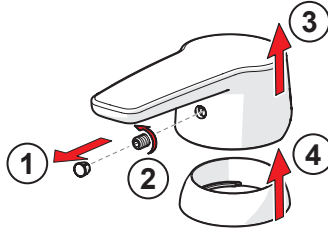
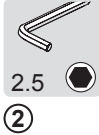
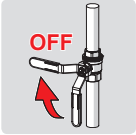
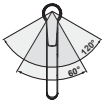


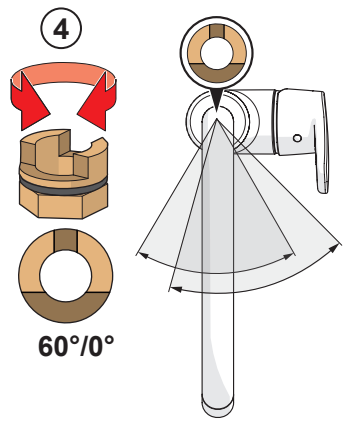
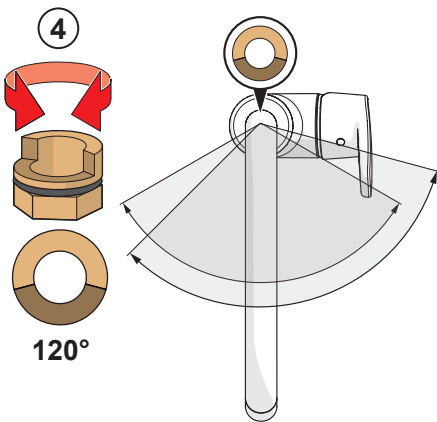
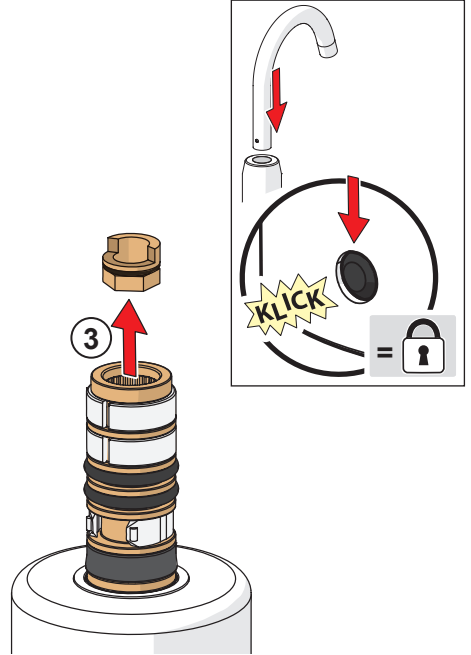
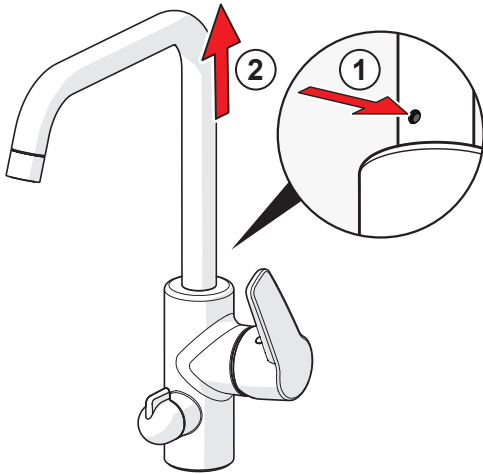
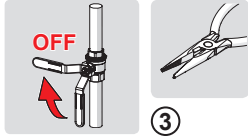
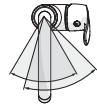
②

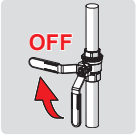




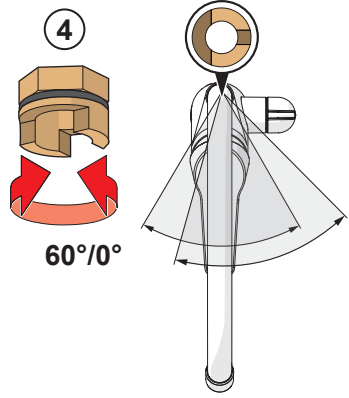
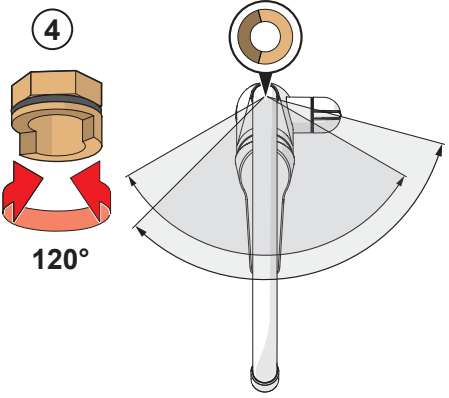
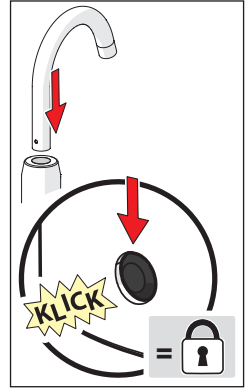
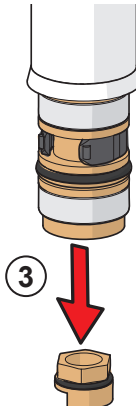
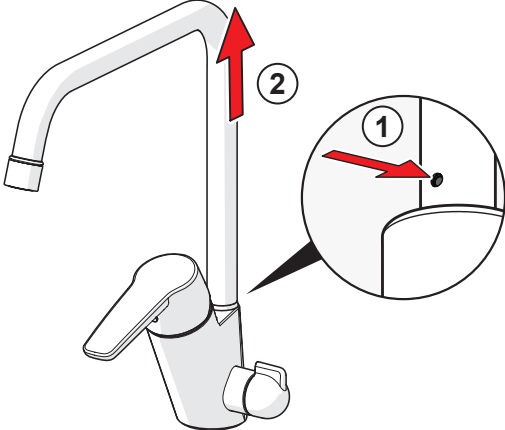


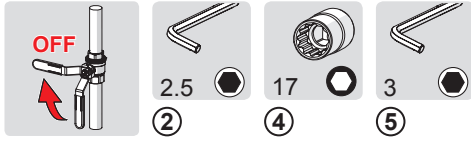




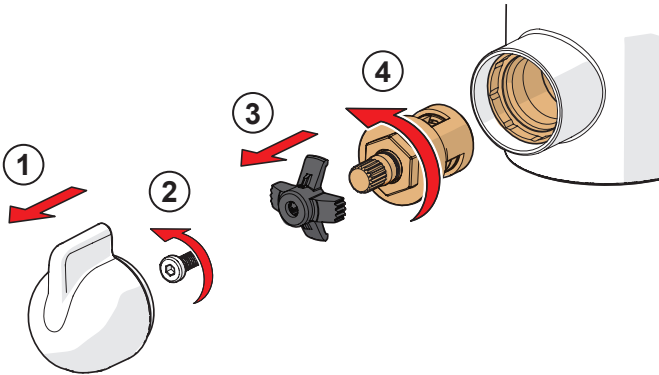


3

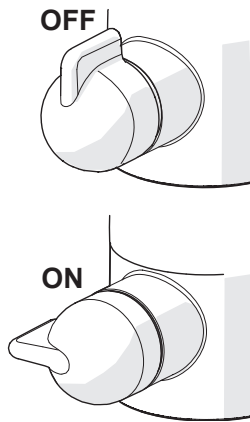


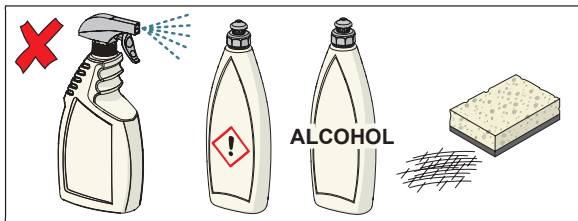
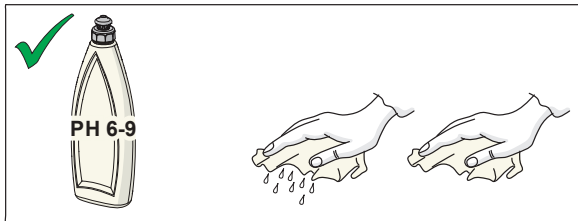
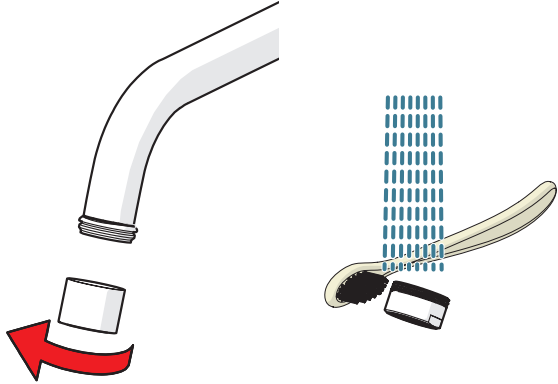


1



2





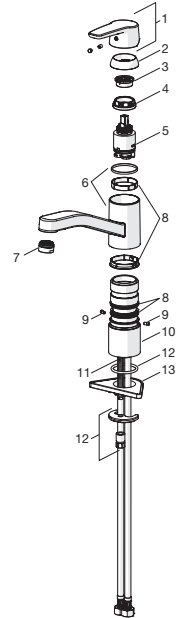
CLEANING.HANSA.COM



**5148 2293, 5159 1193, 5148 2293 0037,
5148 2293 00676**

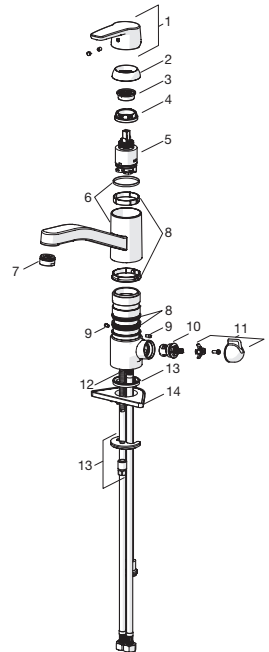
- 1 59 914 417
- 2 59 912 504
- 3 59 912 325
- 4 59 912 111
- 5 59 913 075
- 6 59 914 432
- 7 59 914 194
- 7 59 902 692
- 7 59 914 461
- 8 59 913 968
- 9 59 914 437
- 10 59 913 973
- 11 59 912 474
- 12 59 910 749
- 13 59 910 008

5148 2293, 5148 2293 00676
5159 1193
5148 2293 0037



5266 2293

- 1 59 914 417
- 2 59 912 504
- 3 59 912 325
- 4 59 912 111
- 5 59 913 075
- 6 59 914 432
- 7 59 902 366
- 8 59 913 968
- 9 59 914 437
- 10 59 914 433
- 11 59 914 715
- 12 59 912 474
- 13 59 910 749
- 14 59 910 008

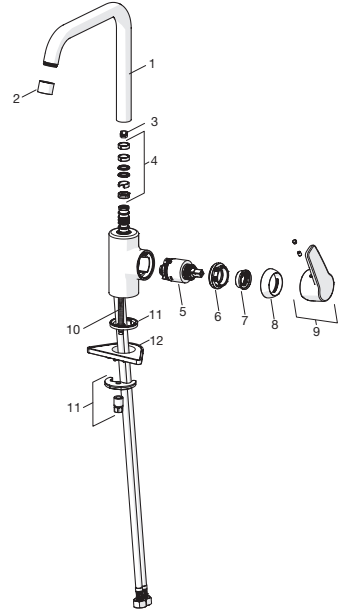




5156 2293, 5156 2293 0037

- 1 59 914 435
- 2 59 914 436
- 2 59 914 462
- 3 59 914 429
- 3 59 914 264
- 4 59 914 431
- 5 59 913 075
- 6 59 913 210
- 7 59 912 325
- 8 59 912 504
- 9 59 914 430
- 10 59 912 474
- 11 59 910 749
- 12 59 910 008

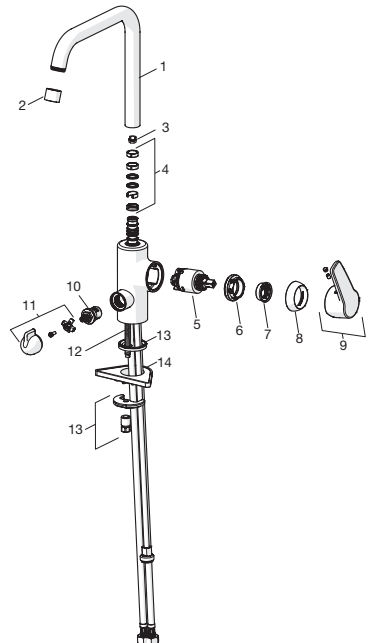
5156 2293
5156 2293 0037
120°
60°/0°



5160 2293

- 1 59 914 435
- 2 59 914 436
- 3 59 914 429
- 3 59 914 264
- 4 59 914 431
- 5 59 913 075
- 6 59 913 210
- 7 59 912 325
- 8 59 912 504
- 9 59 914 430
- 10 59 914 433
- 11 59 914 715
- 12 59 912 474
- 13 59 910 749
- 14 59 910 008

120°
60°/0°

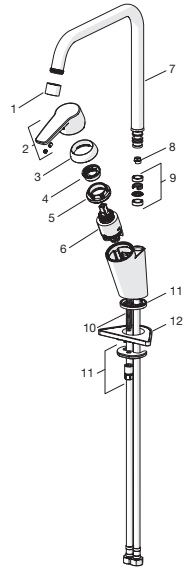




5270 2293

- 1** 59 914 436
- 2** 59 914 417
- 3** 59 912 504
- 4** 59 912 325
- 5** 59 913 210
- 6** 59 913 075
- 7** 59 914 438
- 8** 59 914 429
- 8** 59 914 264
- 9** 59 914 266
- 10** 59 912 474
- 11** 59 910 749
- 12** 59 910 008

120°
60°/0°

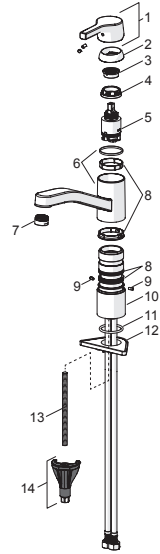




5653 2203 , 5648 1103 , 5653 2203 0037

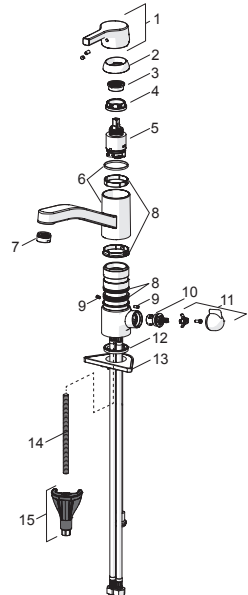
- 1 59 914 712
- 2 59 912 504
- 3 59 912 325
- 4 59 912 111
- 5 59 913 075
- 6 59 914 432
- 7 59 914 194
- 7 59 902 692
- 7 59 914 461
- 8 59 913 968
- 9 59 914 437
- 10 59 913 973
- 11 59 914 591
- 12 59 910 008
- 13 59 914 474
- 14 59 914 475

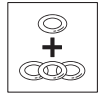
- 5653 2203**
- 5648 1103**
- 5653 2203 0037**



5654 2203

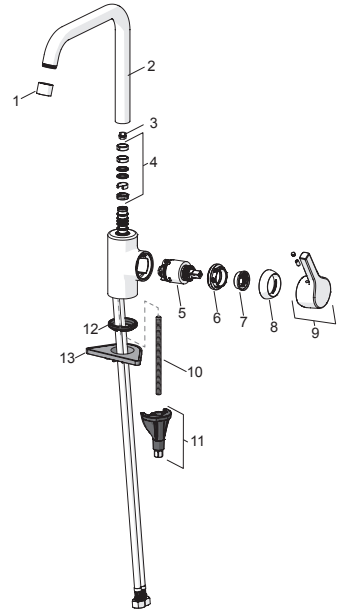
- 1 59 914 712
- 2 59 912 504
- 3 59 912 325
- 4 59 912 111
- 5 59 913 075
- 6 59 914 432
- 7 59 914 194
- 8 59 913 968
- 9 59 914 437
- 10 59 914 433
- 11 59 914 715
- 12 59 914 591
- 13 59 910 008
- 14 59 914 474
- 15 59 914 475





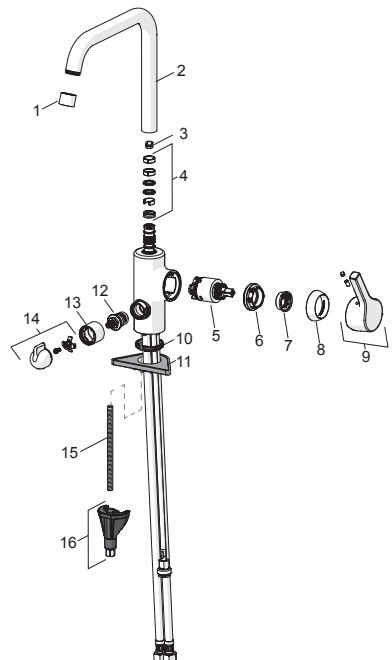
5652 2203 , 5652 2203 0037

- | | | |
|-----------|------------|-----------------------|
| 1 | 59 914 436 | 5652 2203 |
| 1 | 59 914 462 | 5652 2203 0037 |
| 2 | 59 914 435 | |
| 3 | 59 914 264 | 60°/0° |
| 3 | 59 914 429 | 120° |
| 4 | 59 914 431 | |
| 5 | 59 913 075 | |
| 6 | 59 913 210 | |
| 7 | 59 912 325 | |
| 8 | 59 912 504 | |
| 9 | 59 914 713 | |
| 10 | 59 914 474 | |
| 11 | 59 914 475 | |
| 12 | 59 914 591 | |
| 13 | 59 910 008 | |



5649 2203

- | | | |
|-----------|------------|--------|
| 1 | 59 914 436 | |
| 2 | 59 914 435 | |
| 3 | 59 914 264 | |
| 3 | 59 914 429 | 120° |
| 4 | 59 914 431 | 60°/0° |
| 5 | 59 913 075 | |
| 6 | 59 913 210 | |
| 7 | 59 912 325 | |
| 8 | 59 912 504 | |
| 9 | 59 914 713 | |
| 10 | 59 914 591 | |
| 11 | 59 910 008 | |
| 12 | 59 914 433 | |
| 13 | 59 914 714 | |
| 14 | 59 914 715 | |
| 15 | 59 914 474 | |
| 16 | 59 914 475 | |

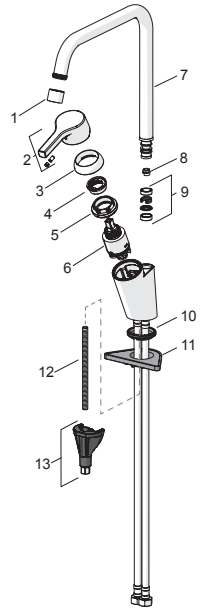




5650 2203

- 1** 59 914 436
- 2** 59 914 712
- 3** 59 912 504
- 4** 59 912 325
- 5** 59 913 210
- 6** 59 913 075
- 7** 59 914 438
- 8** 59 914 264
- 8** 59 914 429
- 9** 59 914 266
- 10** 59 914 591
- 11** 59 910 008
- 12** 59 914 474
- 13** 59 914 475

60°/0°
120°



Oras Group is a powerful European provider of sanitary fittings: the market leader in the Nordics and a leading company in Continental Europe. The company's mission is to make the use of water easy and sustainable and its vision is to become the European leader of advanced sanitary fittings. Oras Group has two strong brands, Oras and Hansa.

The head office of the Group is located in Rauma, Finland, and the Group has three manufacturing sites: Kralovice (Czech Republic), Olesno (Poland) and Rauma (Finland). Oras Group employs approximately 1400 people in twenty countries. Oras Group is owned by Oras Invest, a family company and an industrial owner.

HANSA Armaturen GmbH
P. O. BOX 81 02 40
D-70519 Stuttgart

Sigmaringer Strasse 107
D-70567 Stuttgart
Tel.: +49 711 16 14 0
Fax: +49 711 16 14 368
info@hansa.de

www.hansa.com



a member of  orasgroup