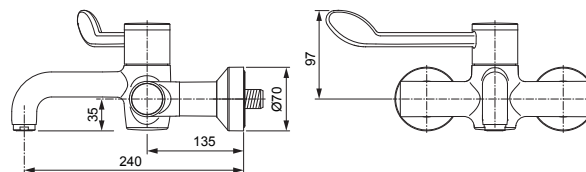
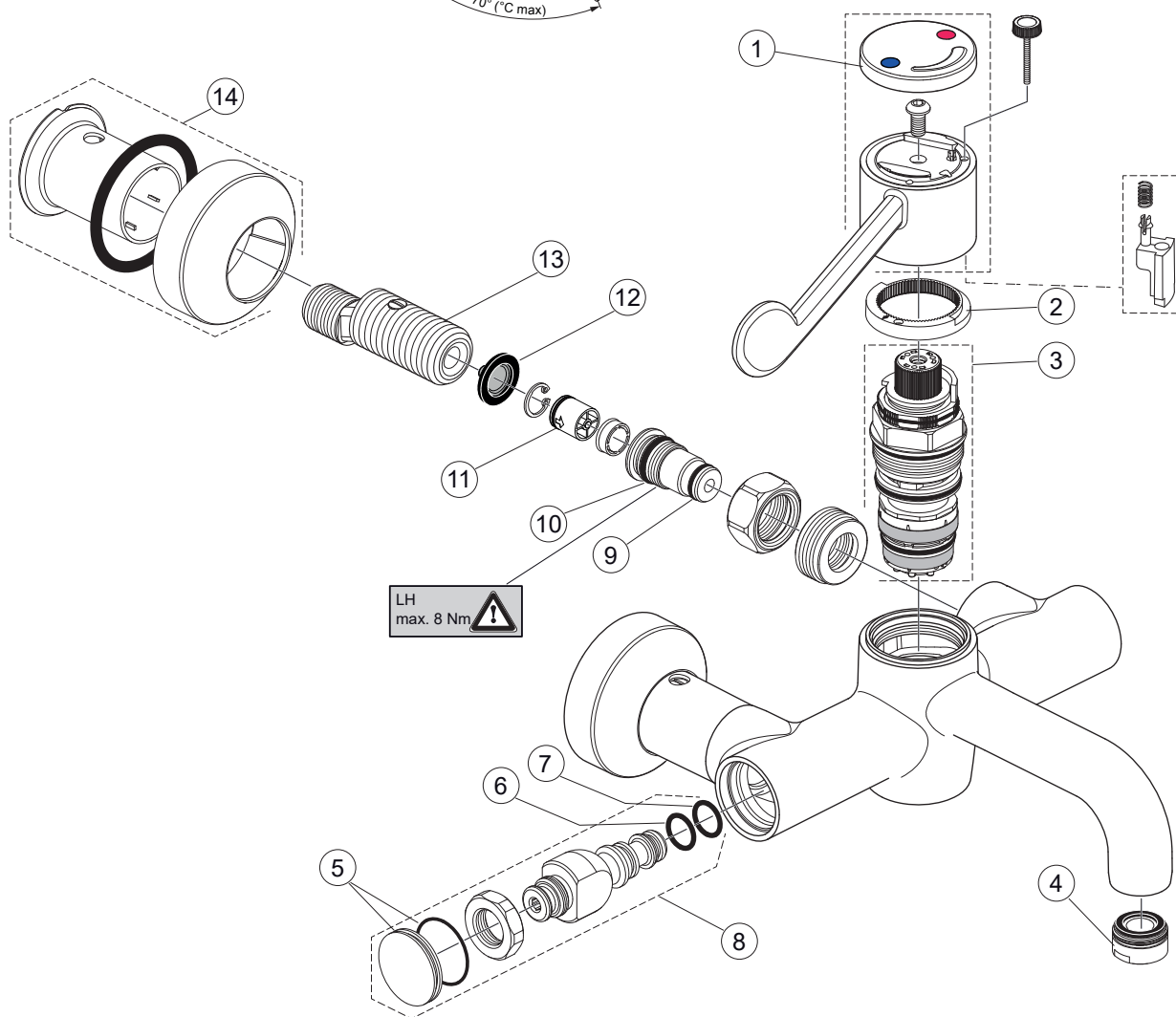
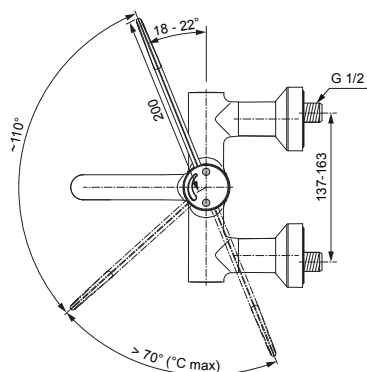


Produced from: **April 2021**

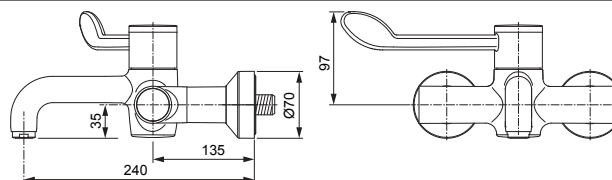


Thermostat with function desinfection with on/off S-connector chrome **A6691AA**

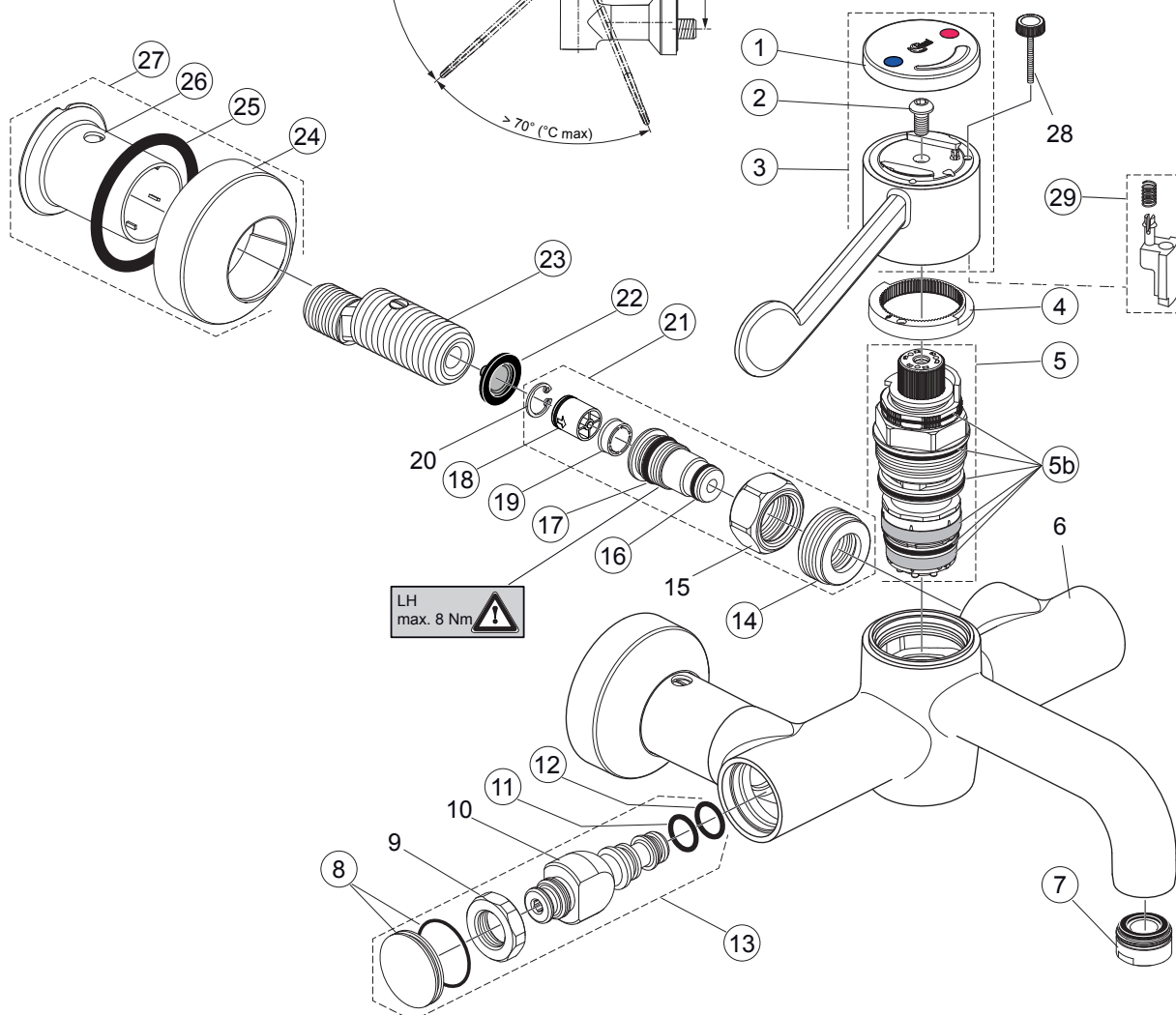
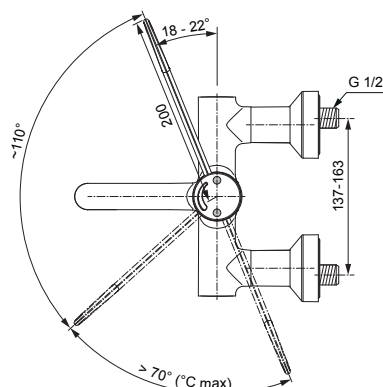


Pos.	Description	Part-Number	Qty.	Pos.	Description	Part-Number	Qty.
1	Handle cpl. w. Ring Logo	<b>A 861 121 AA</b>	1 Set	11	Non-return valve	<b>F 960 942 NU</b>	1 pcs
2	Stopting	<b>A 861 122 NU</b>	1 pcs	12	Strainer ( screen )	<b>A 962 595 NU</b>	2 pcs
3	Sequential therm. cartridge	<b>A 861 123 NU</b>	1 pcs	13	On/off S-connector	<b>B 960 607 AT</b>	1 pcs
4	Areator M24x1	<b>A 961 625 AA</b>	1 pcs	14	Escutcheon cpl.	<b>B 960 575 AA</b>	2 Set
5	Cap w. o - ring Ø 30 x 2	<b>A 861 124 AA</b>	1 Set				
6	O - ring Ø 13 x 2	<b>A 861 101 NU</b>	2 pcs				
7	O - ring Ø 11 x 2	<b>A 960 942 NU</b>	2 pcs				
8	Side sleeve cpl.	<b>A 861 125 AA</b>	1 Set				
9	O - Ring Ø 12,42 x 1,78	<b>A 961 332 NU</b>	2 pcs				
10	O - ring Ø 17 x 2	<b>A 961 810 NU</b>	2 pcs				

Produced from: July 2016 - March 2021



Thermostat with function desinfection with on/off S-connector chrome **A6691AA**



Pos.	Description	Part-Number	Qty.	Pos.	Description	Part-Number	Qty.
1	Cap for handle w. Logo ISI	<b>A 861 120 AA</b>	1 pcs	15	Coupling nut G3/4 - SW30		
2	Screw M6 x 12	<b>A 961 950 NU</b>	1 pcs	16	O - Ring Ø 12,42 x 1,78	<b>A 961 332 NU</b>	2 pcs
3	Handle cpl. w. Logo ISI	<b>A 861 121 AA</b>	1 Set	17	O - ring Ø 17 x 2	<b>A 961 810 NU</b>	2 pcs
4	Stopring	<b>A 861 122 NU</b>	1 pcs	18	Non-return valve	<b>F 960 942 NU</b>	1 pcs
5	Sequential therm. cartridge	<b>A 861 123 NU</b>	1 pcs	19	Flow regulator 5,0 l/min	<b>A 861 127 NU</b>	1 pcs
5b	Repair-Set Cartridge	<b>A 861 166 NU</b>	1 Set	20	Lock ring		
6	Body			21	Seat M20 x 1 left thread cpl.	<b>A 861 128 NU</b>	1 Set
7	Aerator M24x1	<b>A 961 625 AA</b>	1 pcs	22	Strainer ( screen )	<b>A 962 595 NU</b>	2 pcs
8	Cap w. o - ring Ø 30 x 2	<b>A 861 124 AA</b>	1 Set	23	On/off S-connector	<b>B 960 607 AT</b>	1 pcs
9	Threaded nut M18x1,5			24	Escutcheon	<b>A 960 599 AA</b>	1 pcs
10	Sleeve			25	O-ring Ø 53,5 x 5	<b>A 963 840 NU</b>	1 pcs
11	O - ring Ø 13 x 2	<b>A 861 101 NU</b>	2 pcs	26	Escutcheon inside	<b>A 961 927 AA</b>	1 pcs
12	O - ring Ø 11 x 2	<b>A 960 942 NU</b>	2 pcs	27	Escutcheon cpl.	<b>B 960 575 AA</b>	2 Set
13	Side sleeve cpl.	<b>A 861 125 AA</b>	1 Set	28	Knurled head screw M3x30 (included in pos.3)		
14	Inlet insulator	<b>A 861 126 NU</b>	1 pcs				