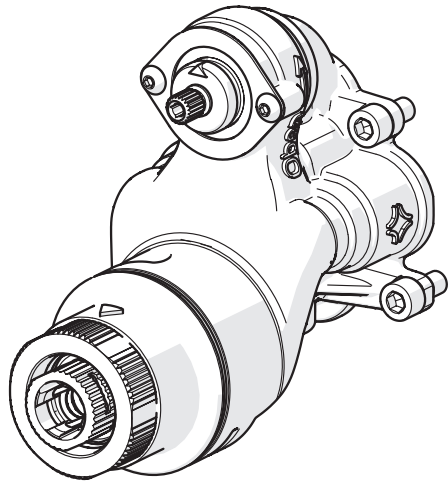
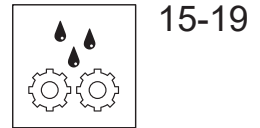
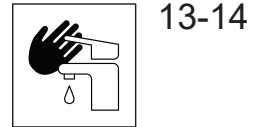
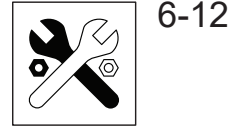
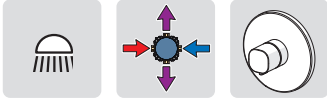


HANSABLUEBOX

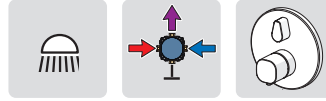
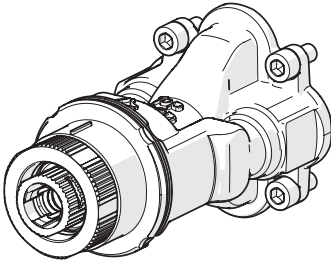
Installation and maintenance guide



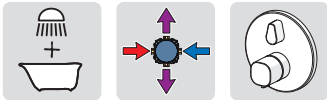
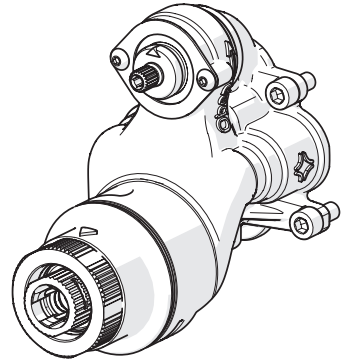




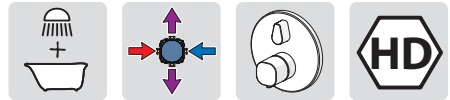
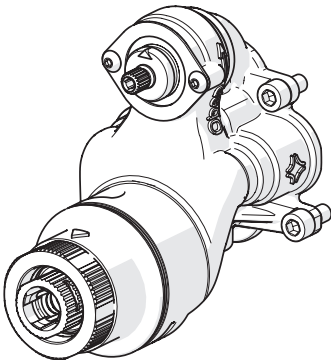
EN 1111
100 - 1000 kPa
max. +90°C



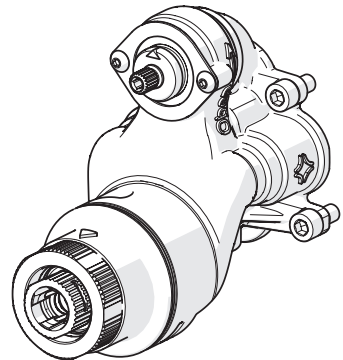
EN 1111
100 - 1000 kPa
max. +90°C

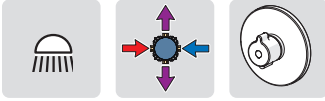


EN 1111
100 - 1000 kPa
max. +90°C

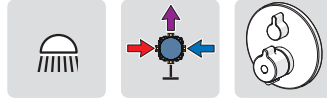
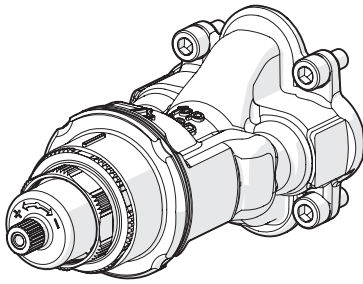


EN 1111
100 - 1000 kPa
max. +90°C

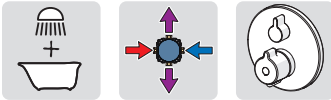
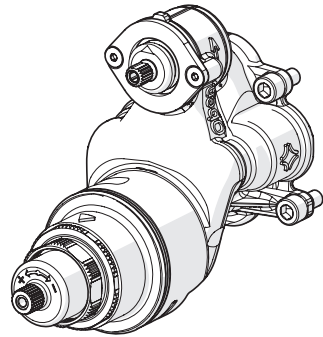




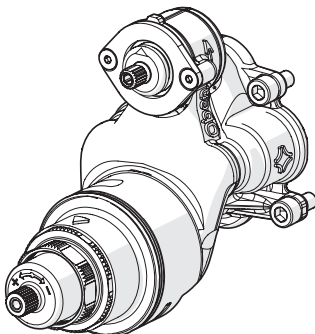
EN 1111
100 - 1000 kPa
max. +90°C

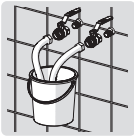
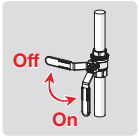


EN 1111
100 - 1000 kPa
max. +90°C

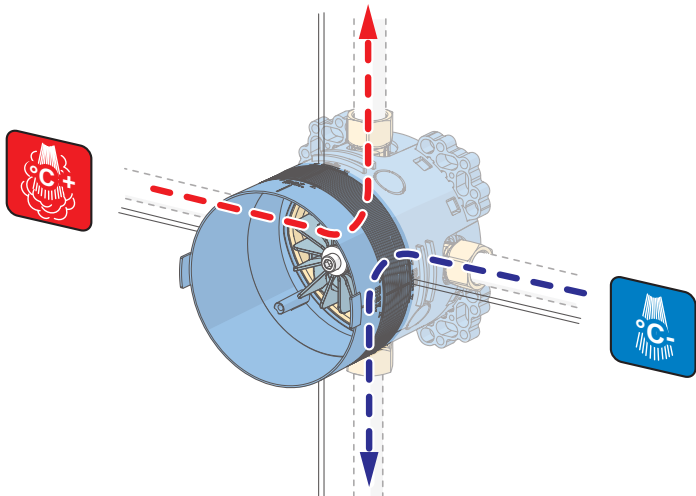
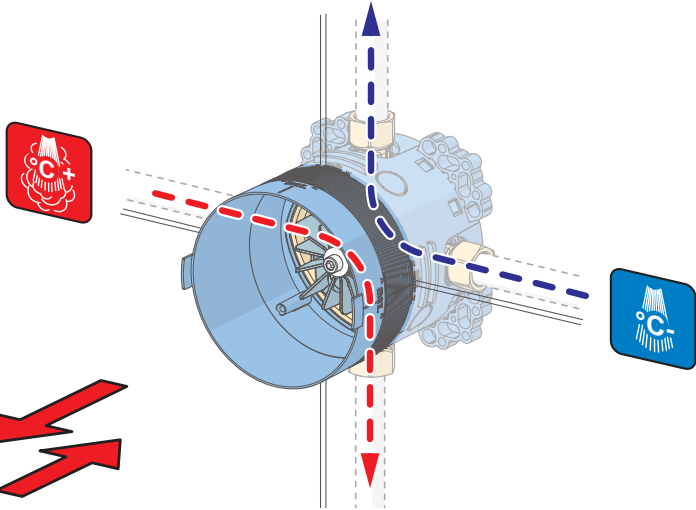
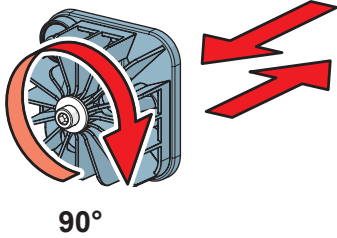


EN 1111
100 - 1000 kPa
max. +90°C

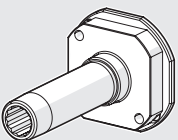




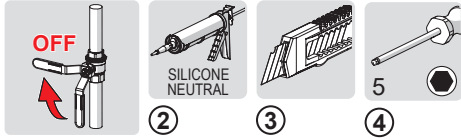
EN 1717
EN 806-5



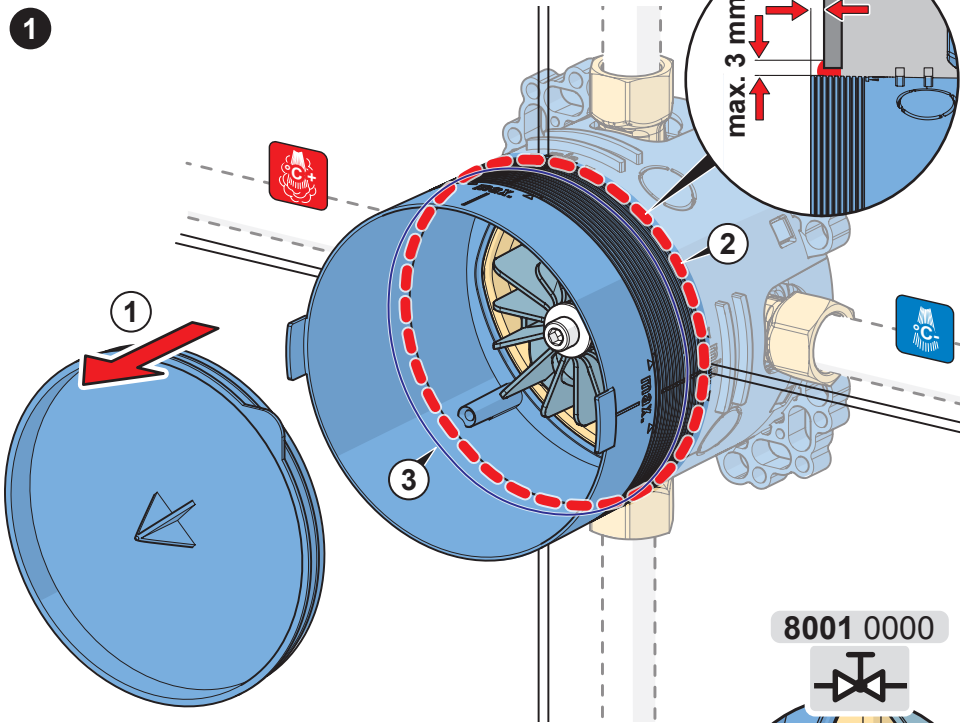
59 914 185



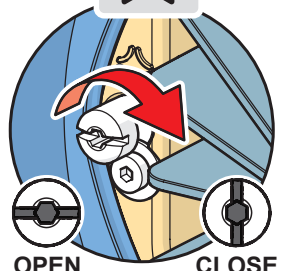
Rinsing tube



1

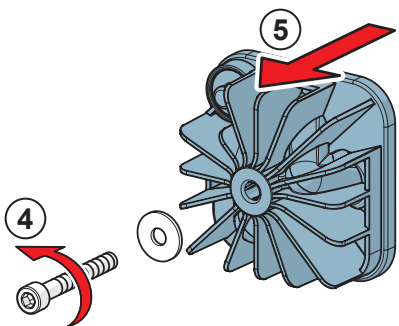


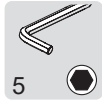
8001 0000



OPEN

CLOSE

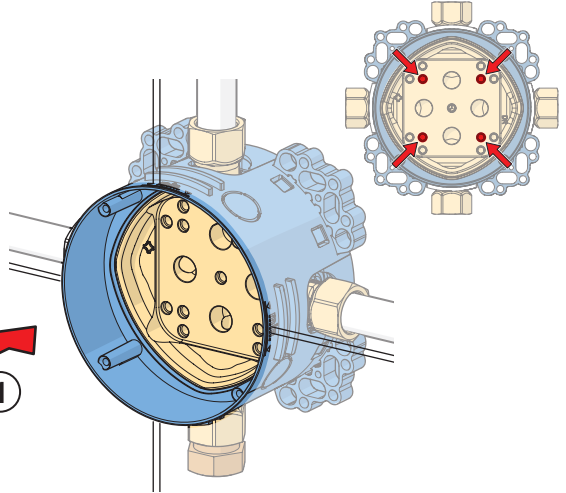
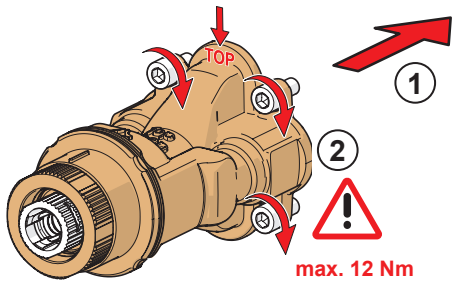




5

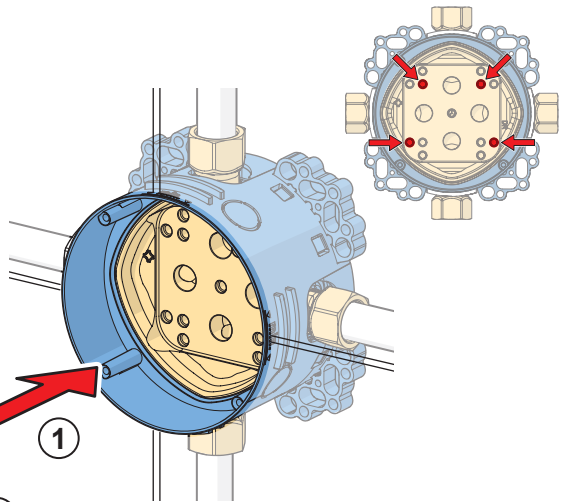
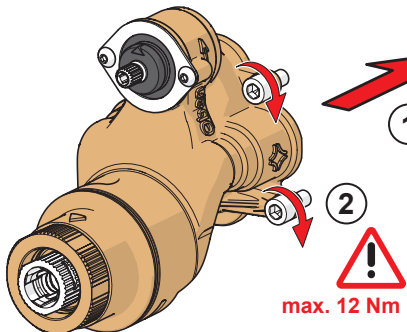
②

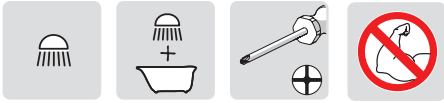
2



5

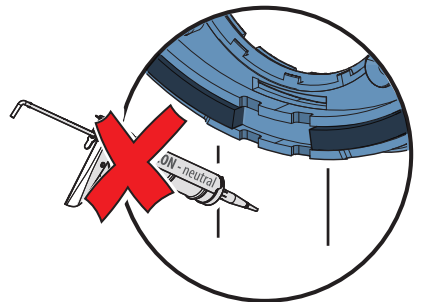
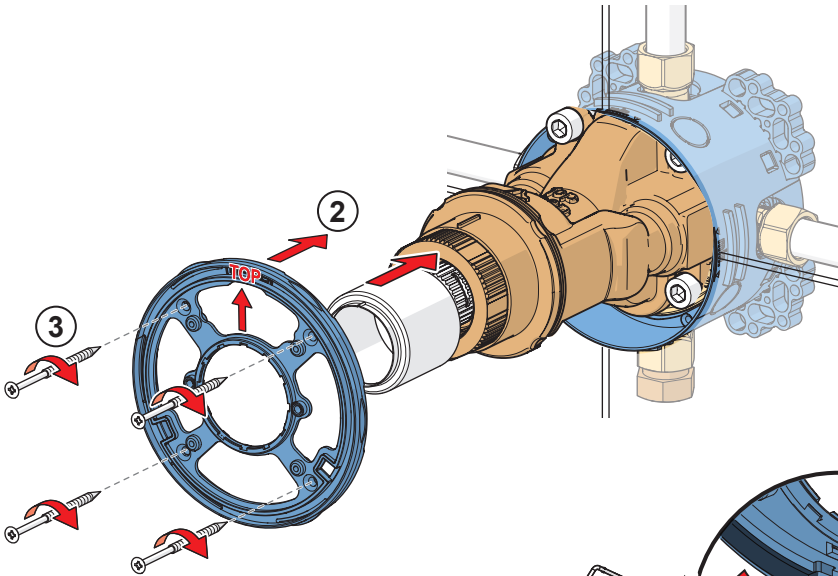
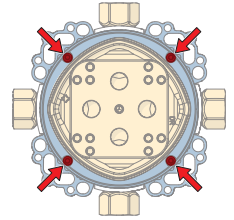
②

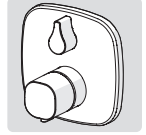




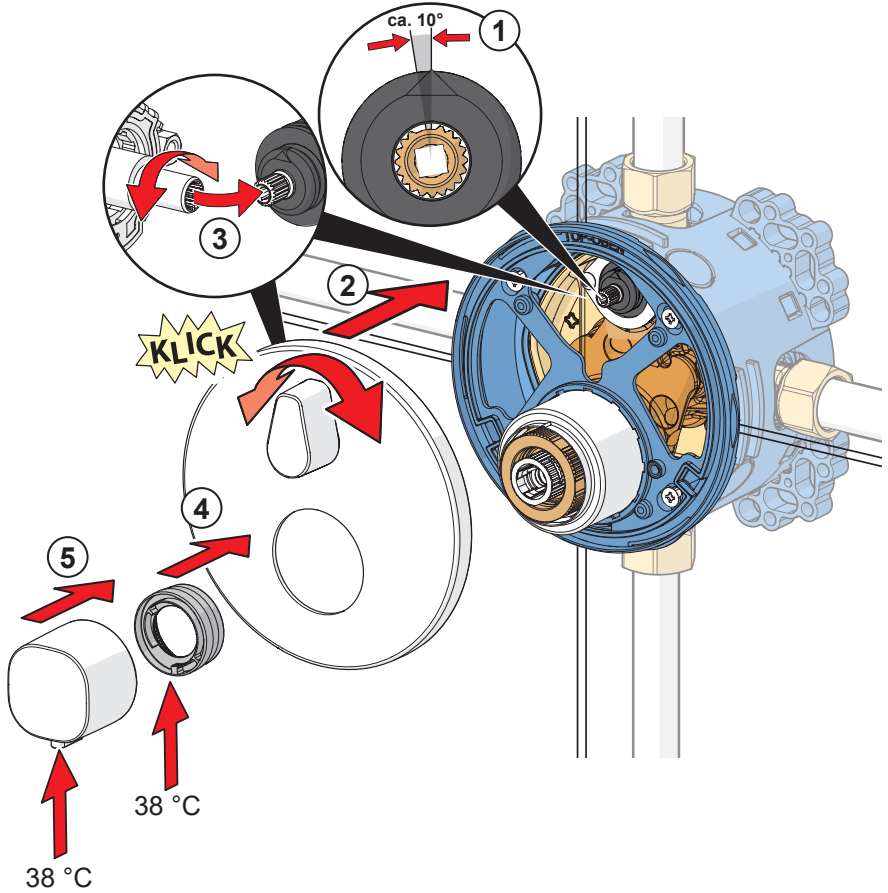
3

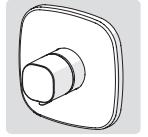
3



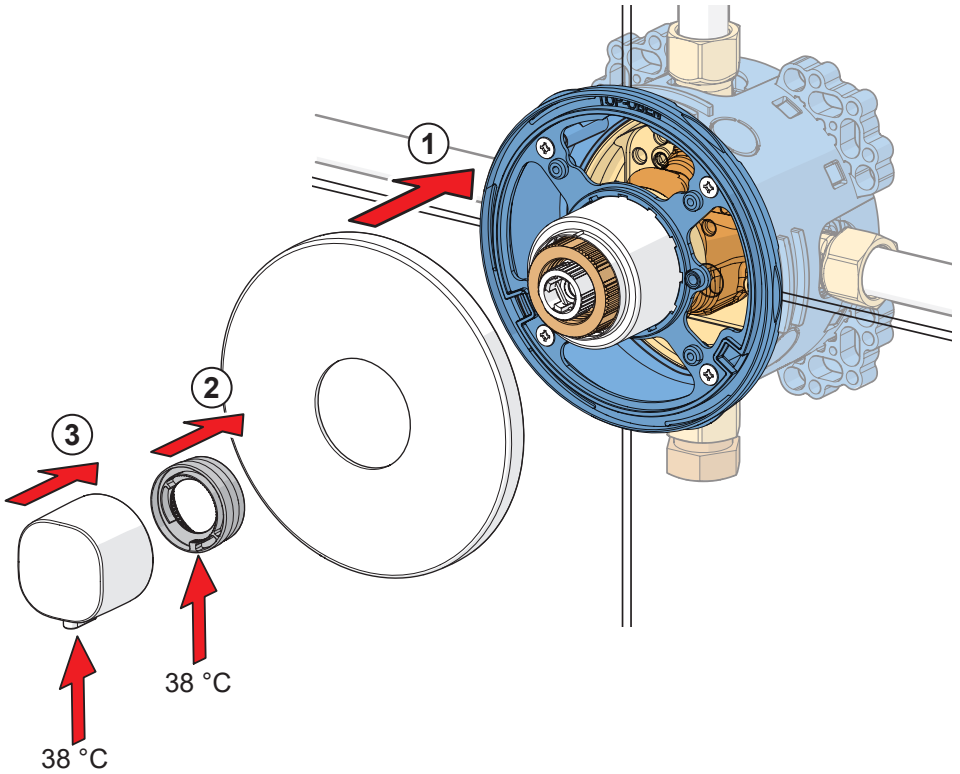


4



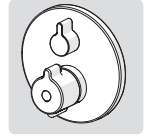
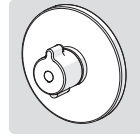


4

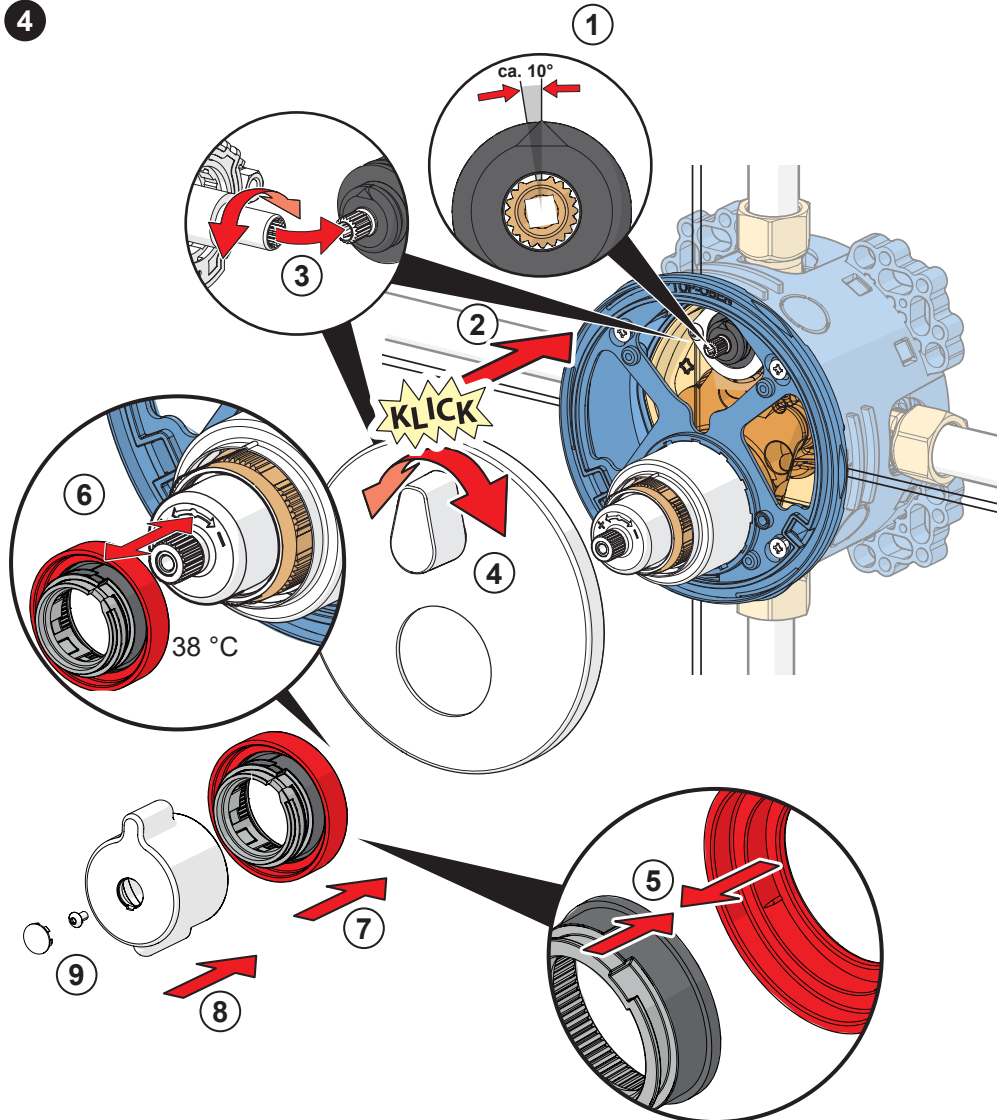


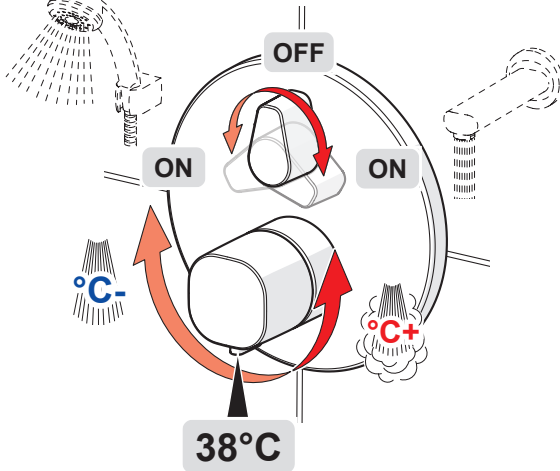
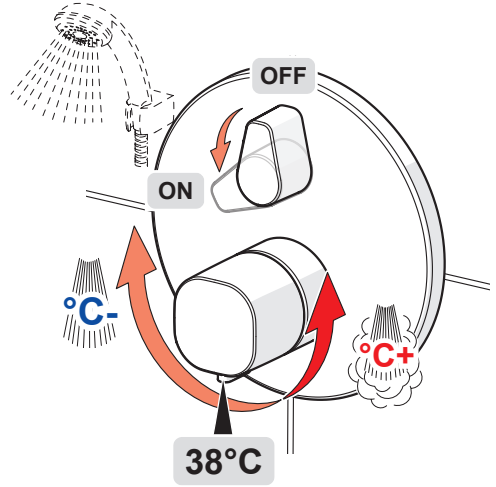
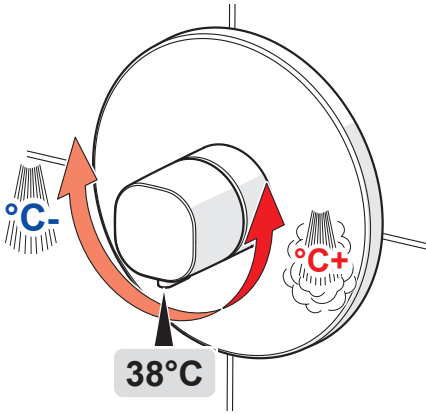


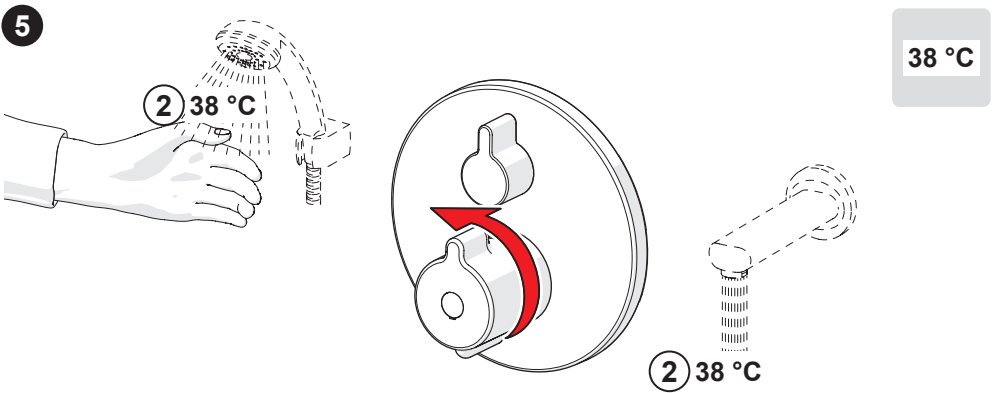
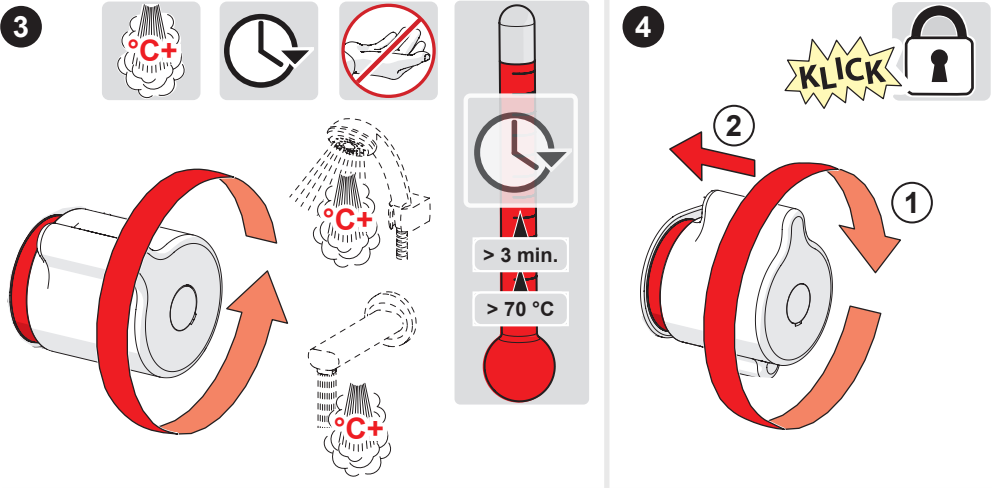
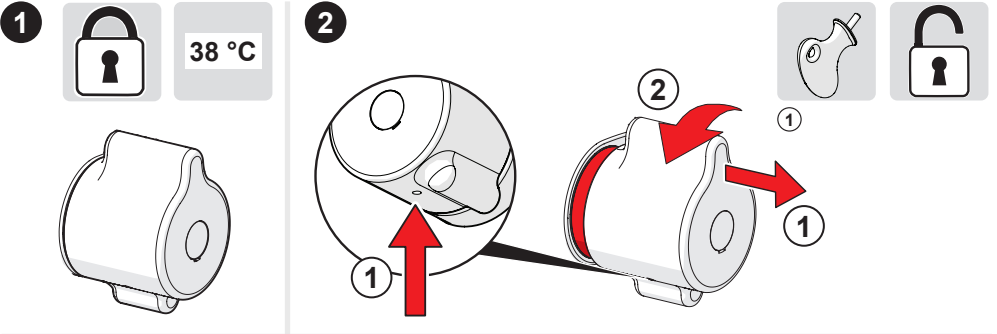
9

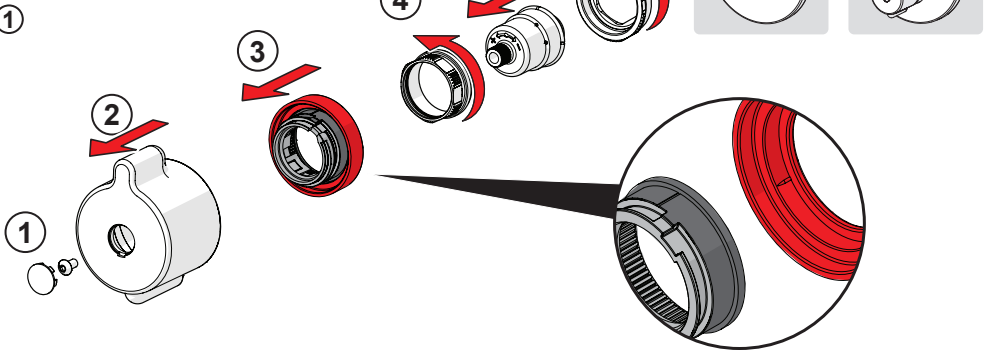
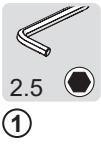
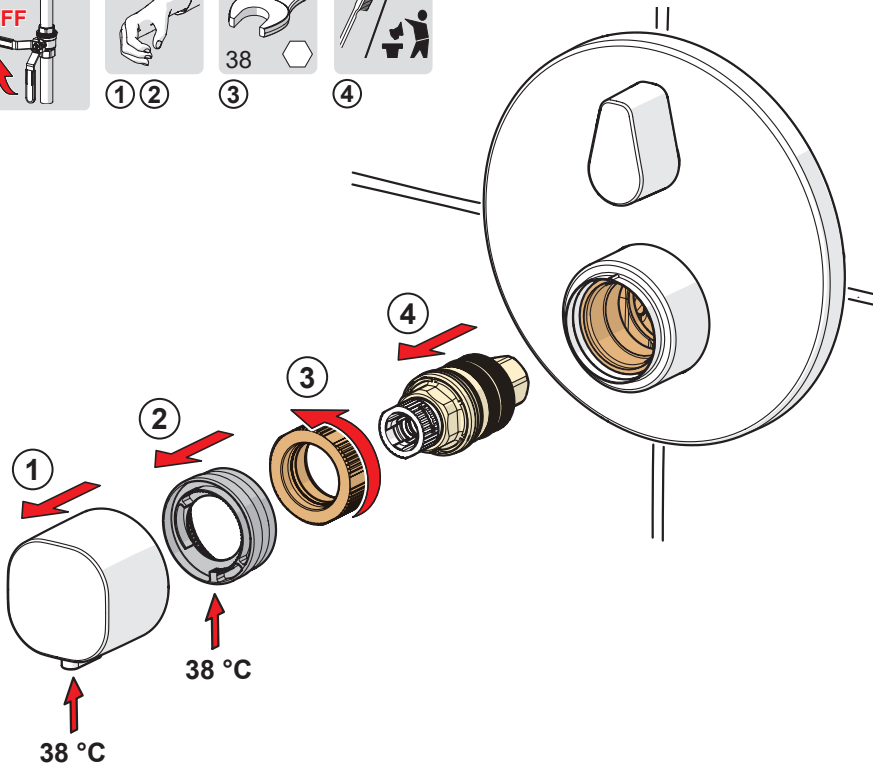
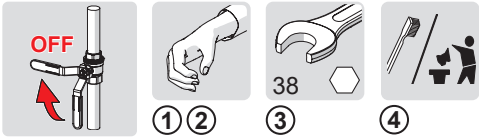


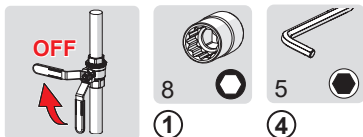
4



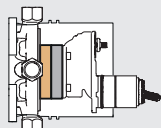




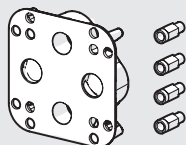




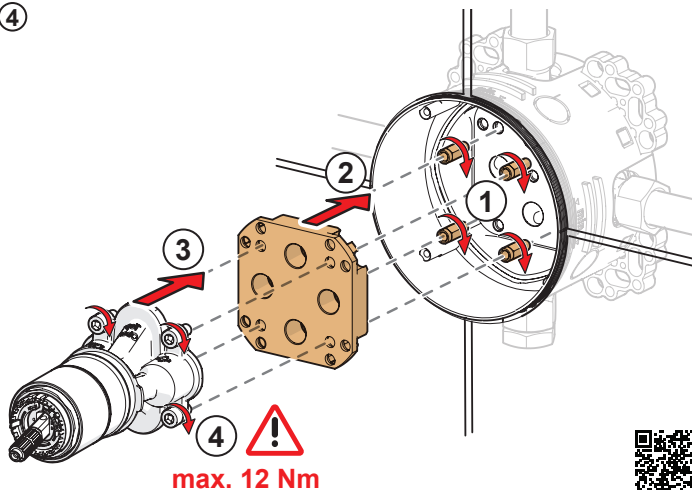
59 914 182



15 mm (max. 30 mm)

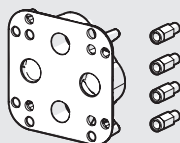


Extension set

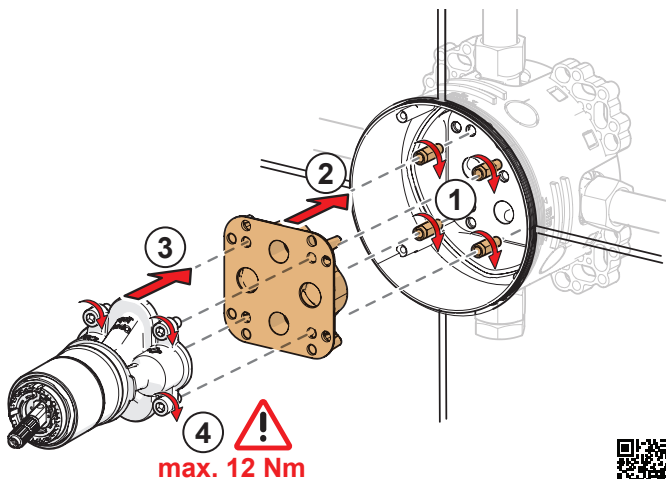


http://movie.hansa.com/blbx_trblshoot_extension

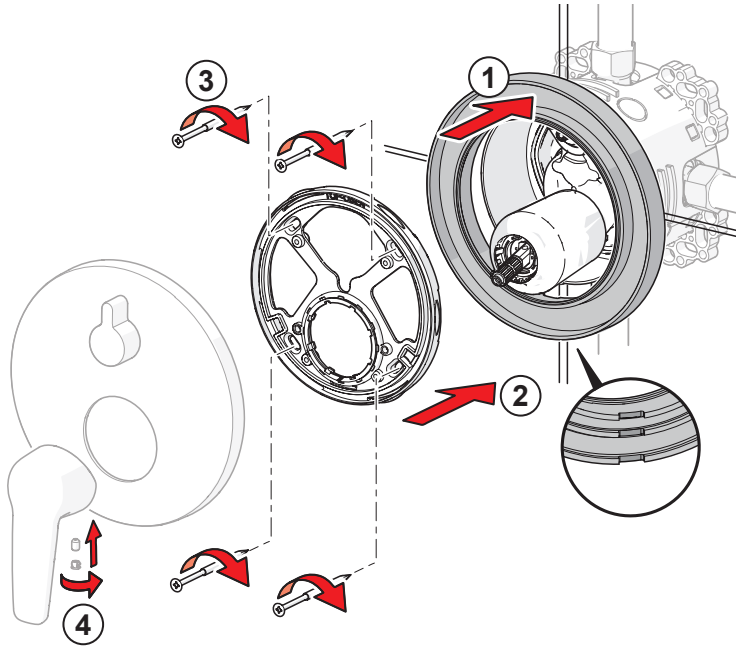
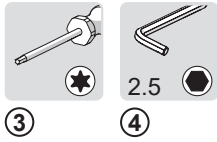
59 914 184



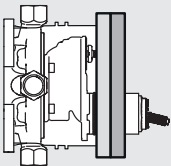
Reverse adapter



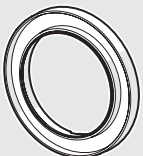
http://movie.hansa.com/blbx_trblshoot_warmcold



59 914 191

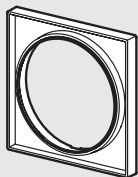


15 mm (max. 30 mm)

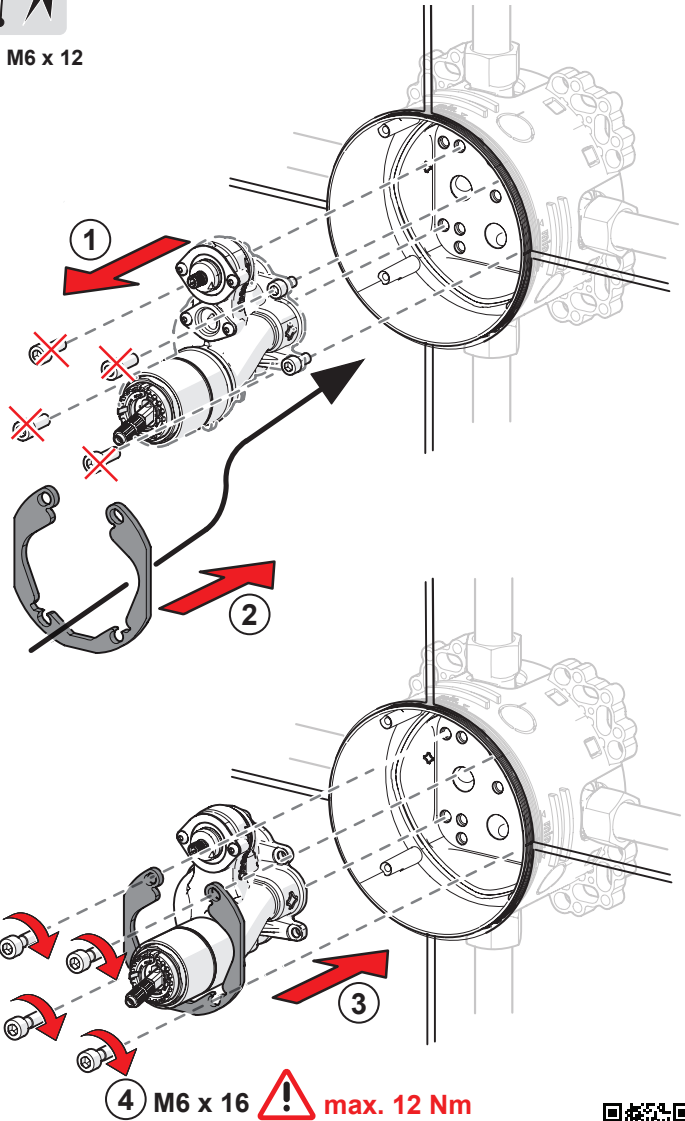
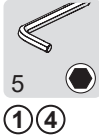
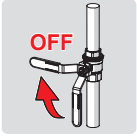


Distance adapter

59 914 192



http://movie.hansa.com/blbx_trblshoot_extension

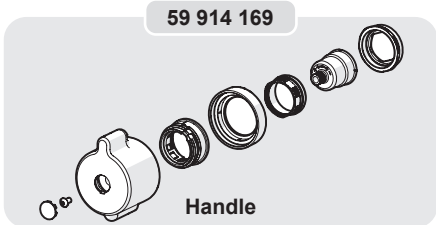
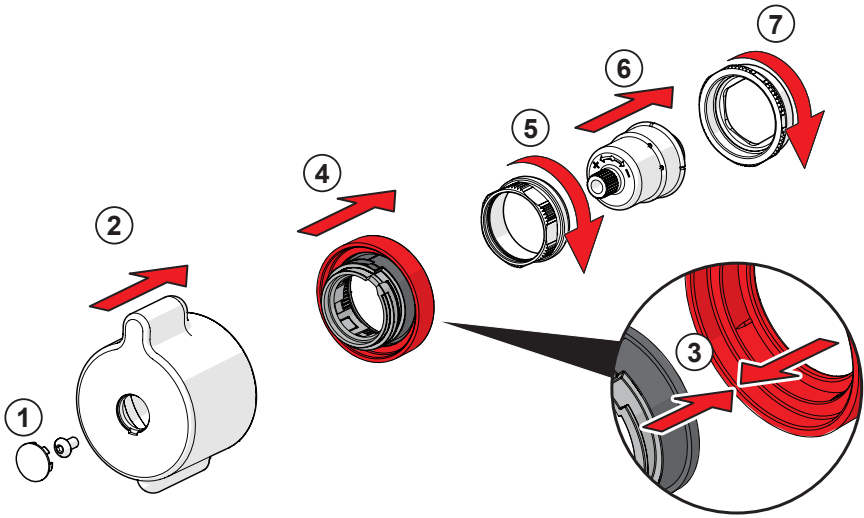
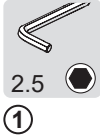
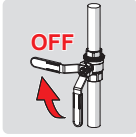


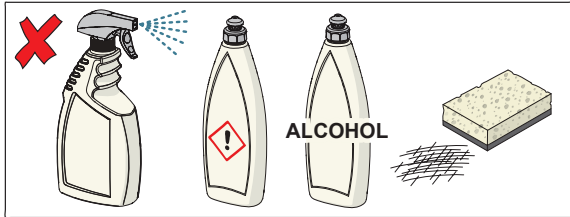
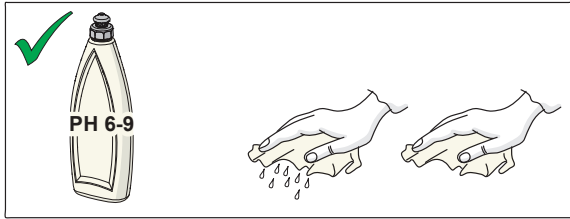
59 914 186

max $\pm 3.5^\circ$

Bluetune kit







cleaning.hansa.com

Oras Group is a powerful European provider of sanitary fittings: the market leader in the Nordics and a leading company in Continental Europe. The company's mission is to make the use of water easy and sustainable and its vision is to become the European leader of advanced sanitary fittings. Oras Group has two strong brands: Oras and Hansa.

The Group's head office is located in Rauma, Finland, and the Group has three manufacturing sites: Kralovice (Czech Republic), Olesno (Poland) and Rauma (Finland). Oras Group employs approximately 1,200 people in twenty countries. Oras Group is owned by Oras Invest, a family company and an industrial owner.

HANSA Armaturen GmbH
P. O. BOX 81 02 40
D-70519 Stuttgart
Sigmaringer Strasse 107
D-70567 Stuttgart
Tel.: +49 711 16 14 0
Fax: +49 711 16 14 368
info@hansa.de
www.hansa.com



943245D-01-21