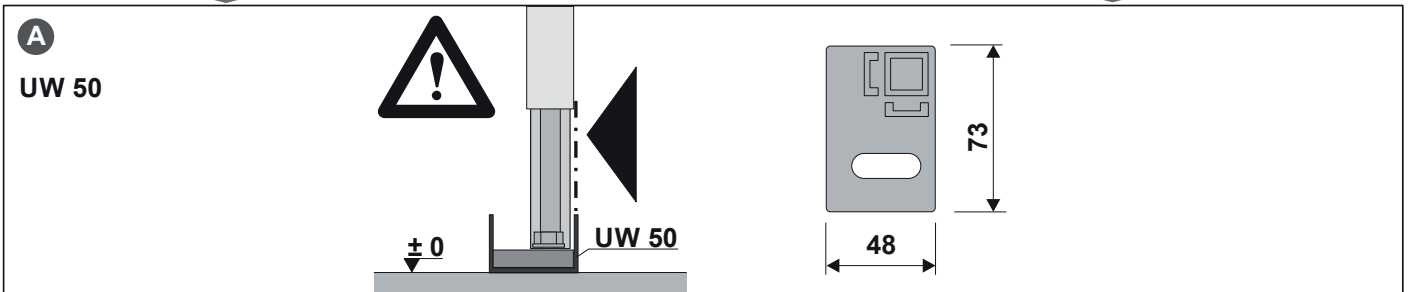
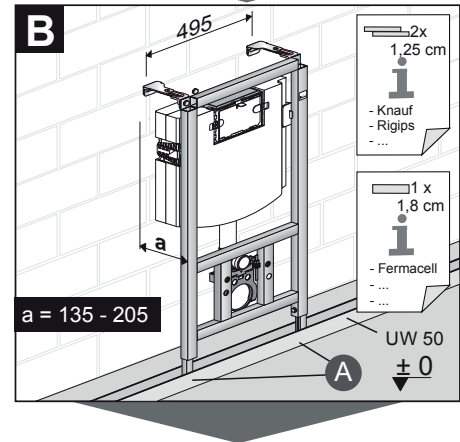
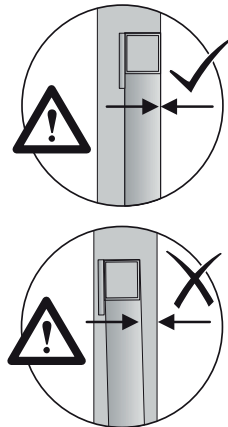
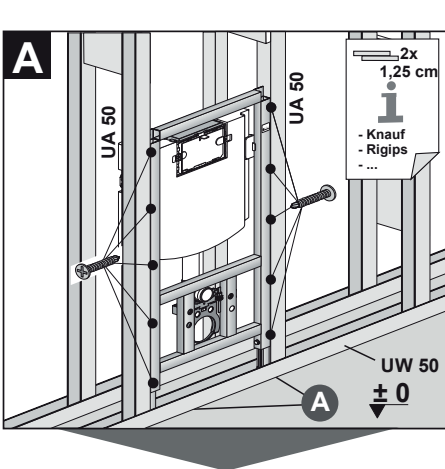
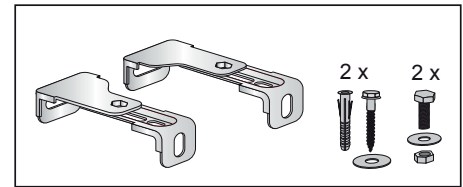
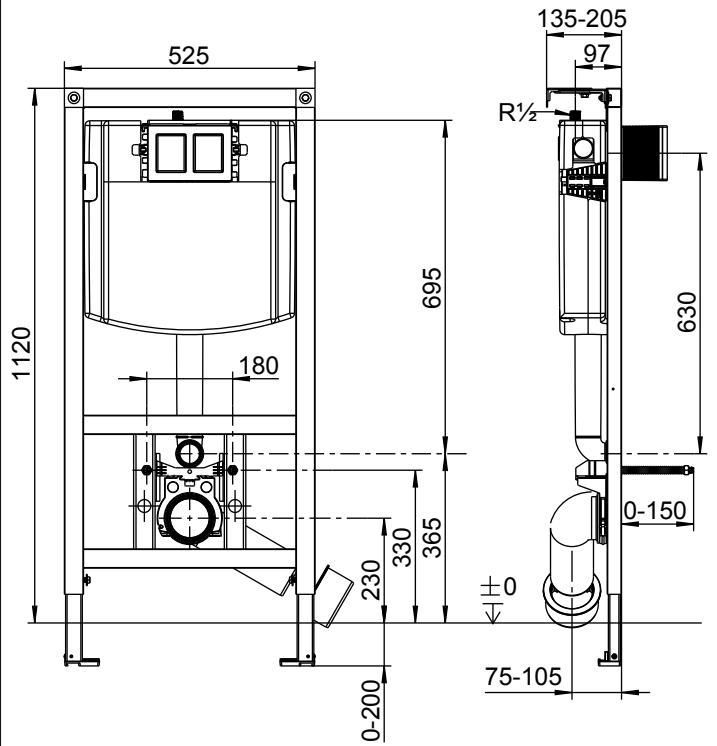
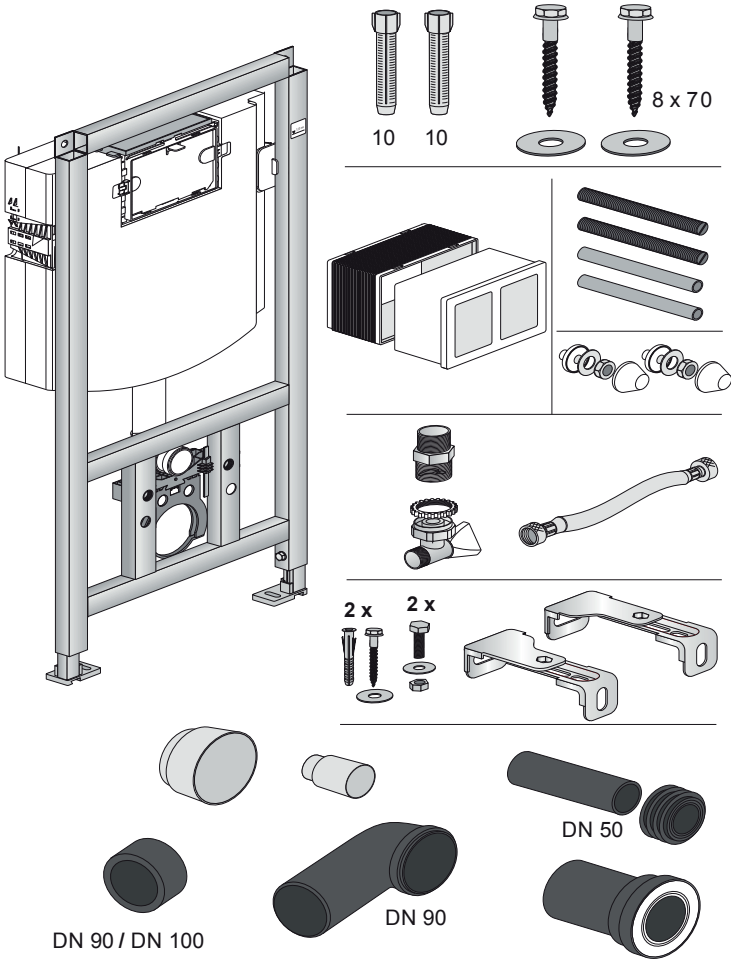
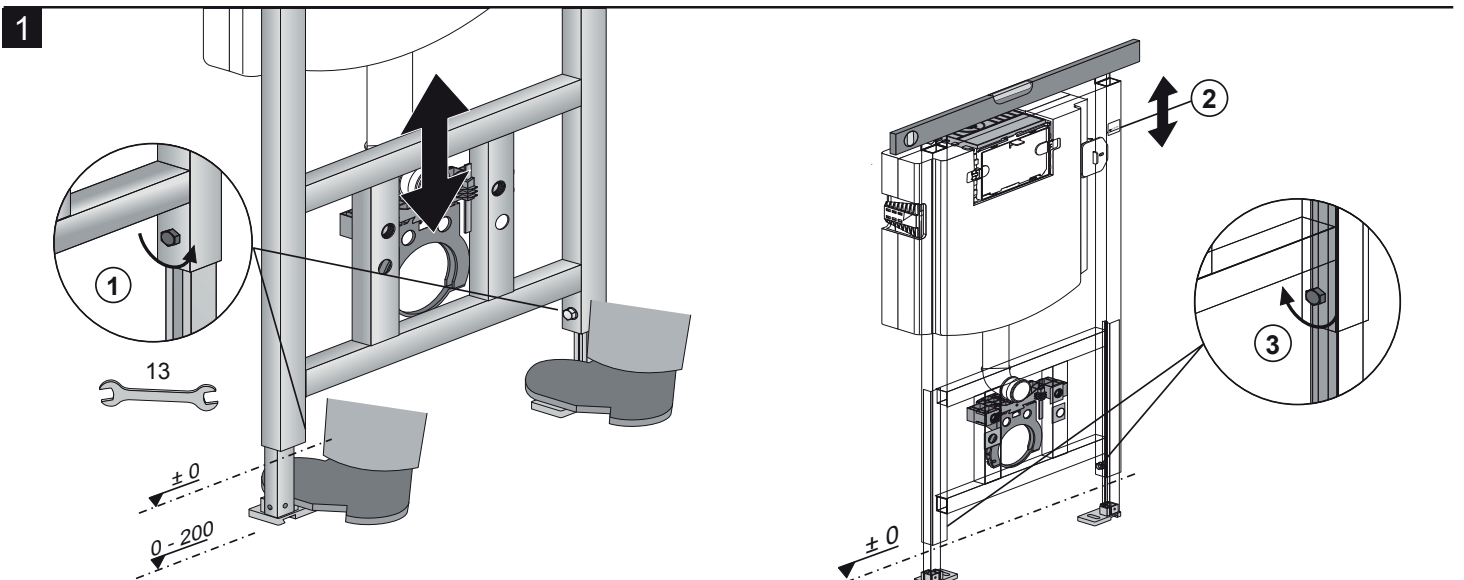
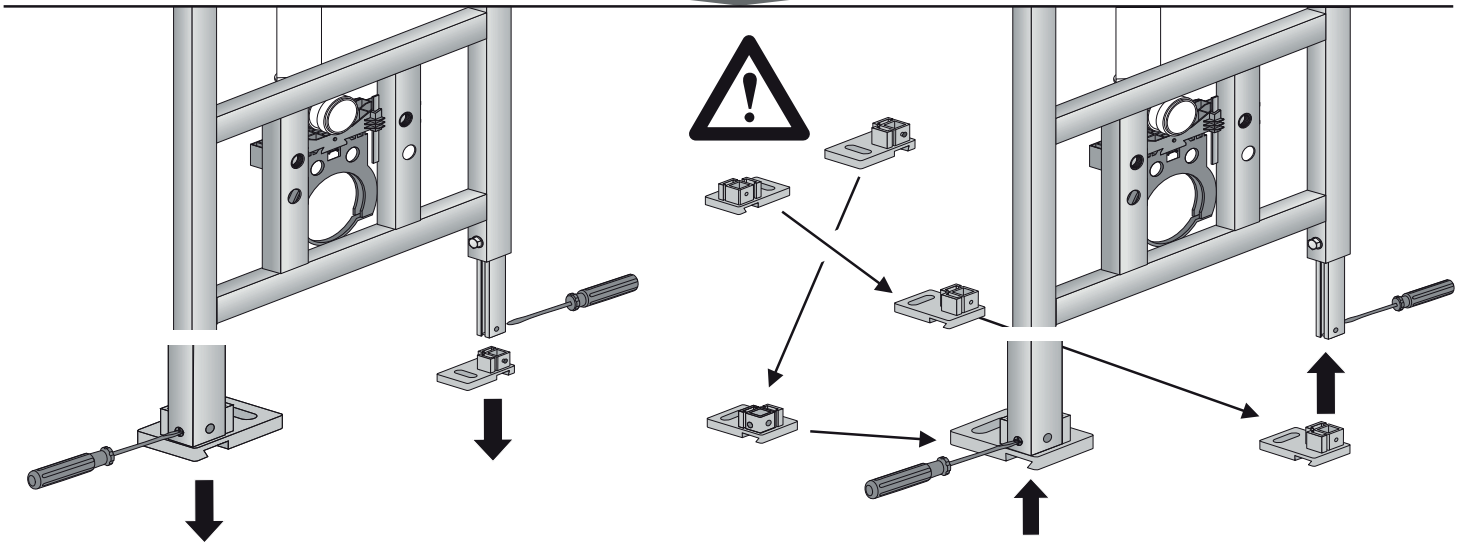
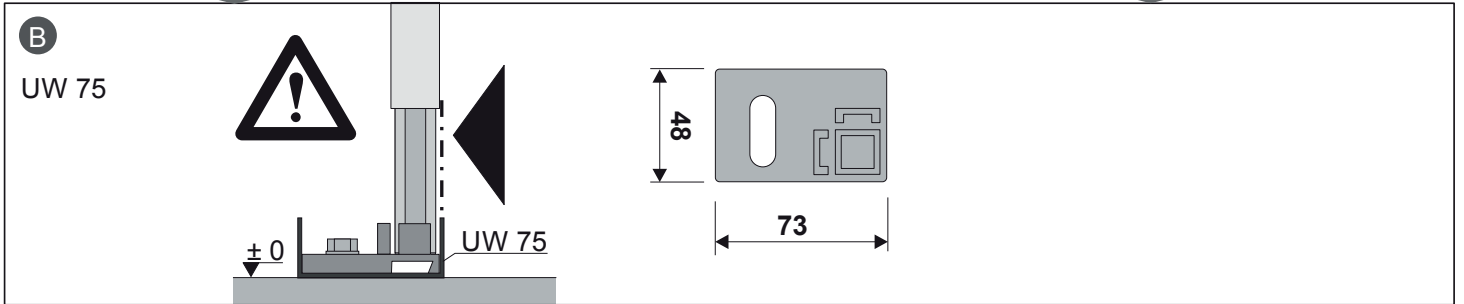
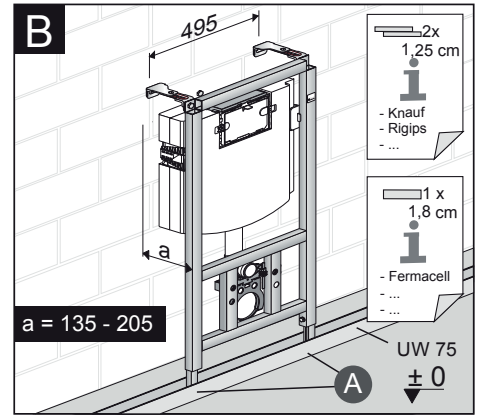
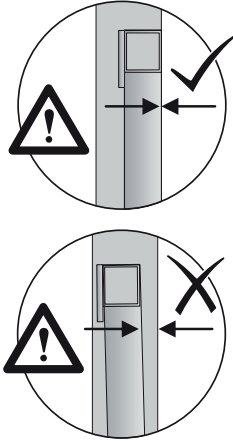
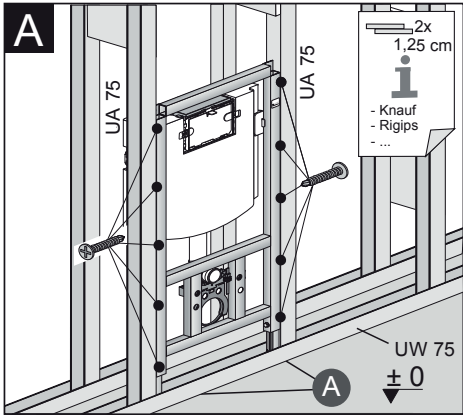
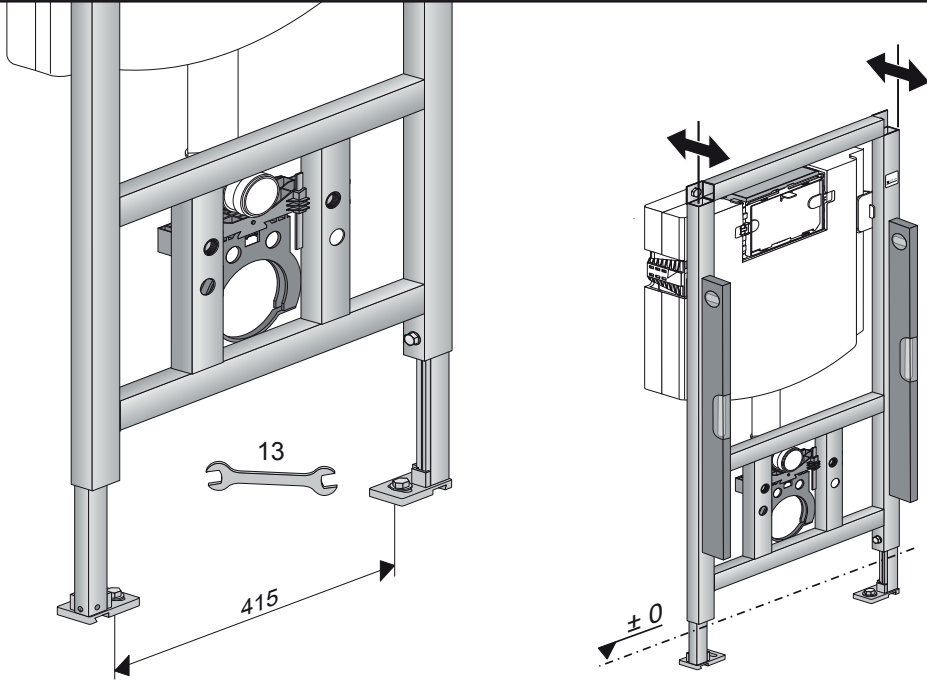
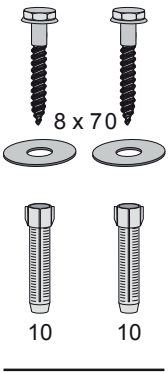


[mm]

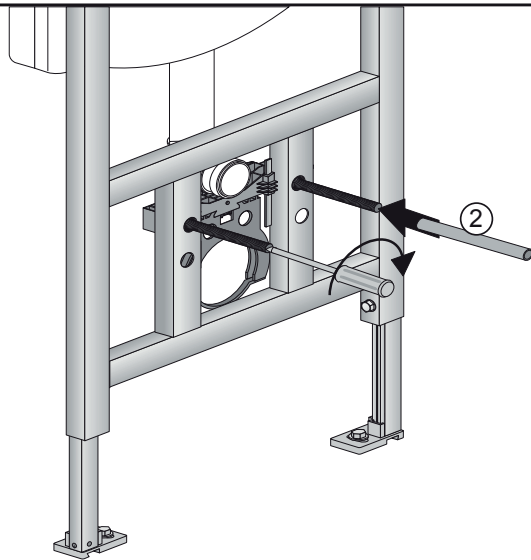




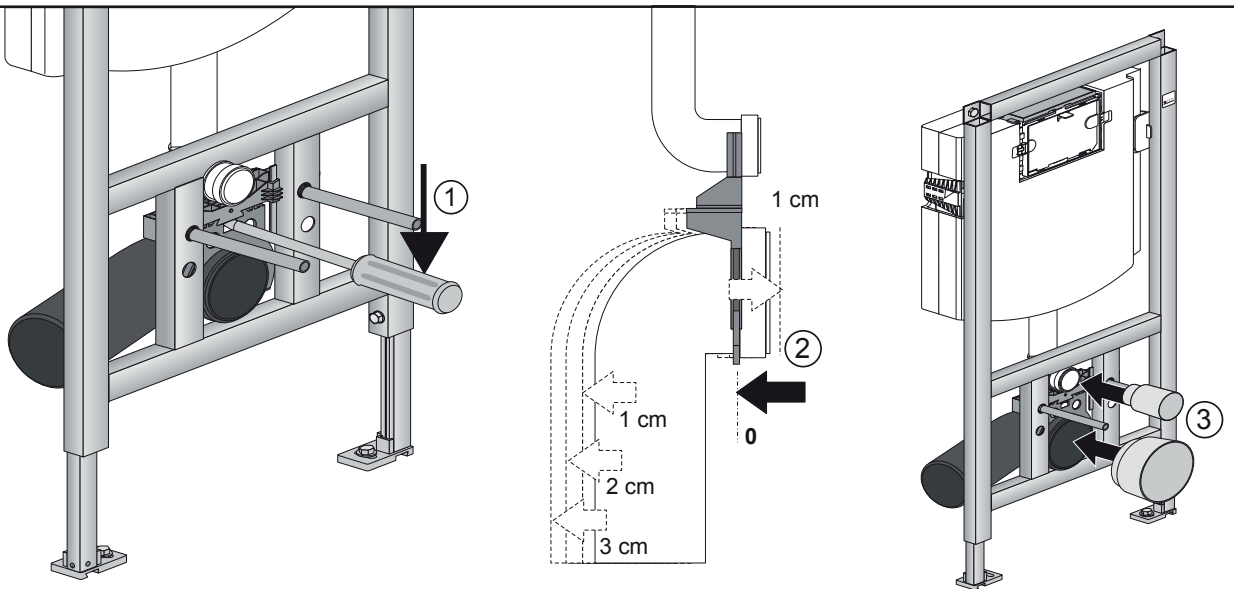
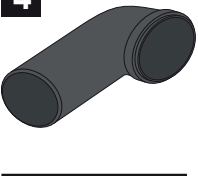
2



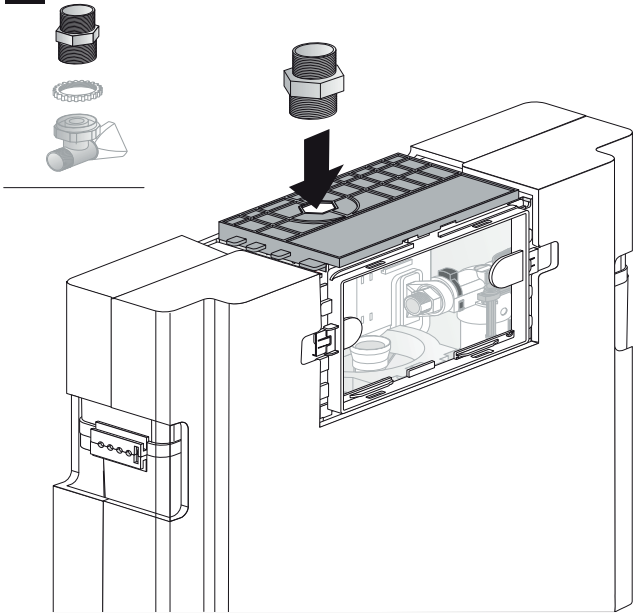
3



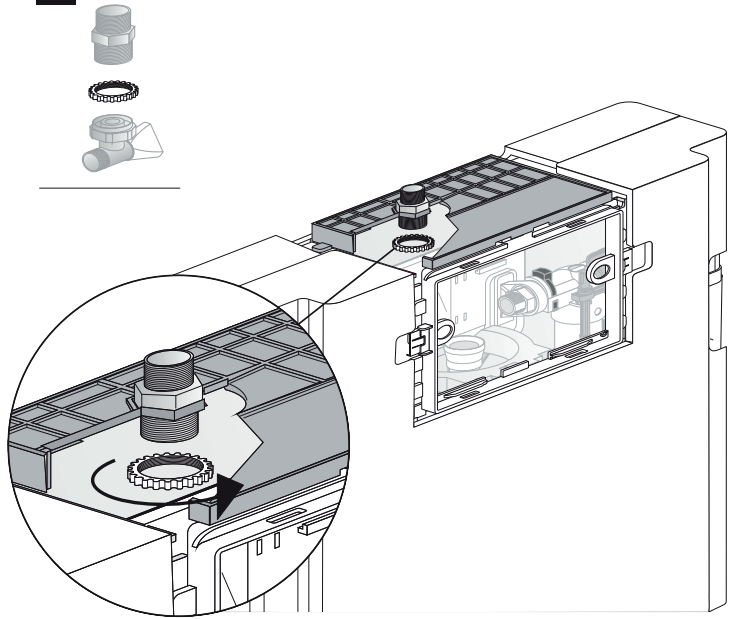
4



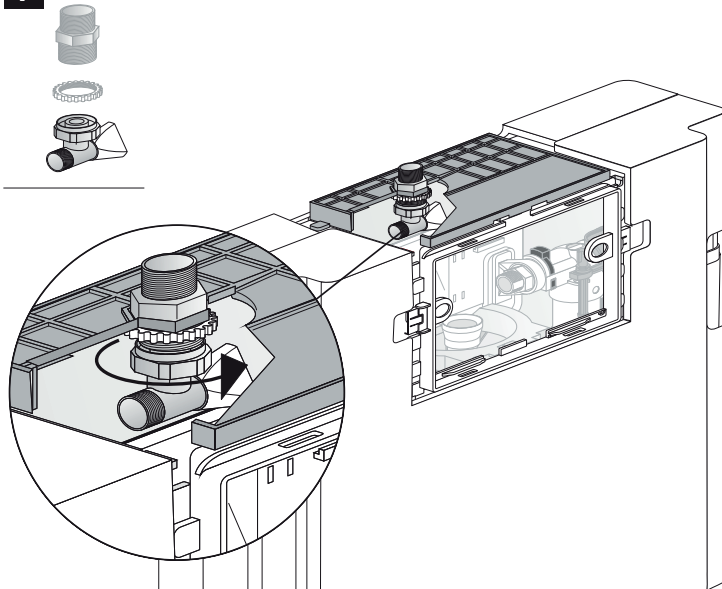
5



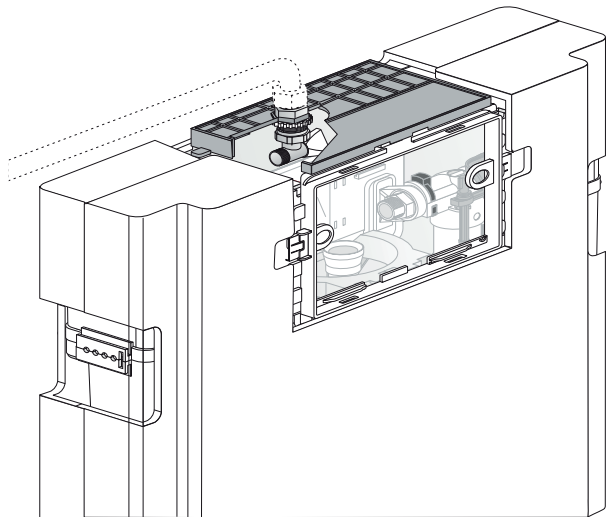
6



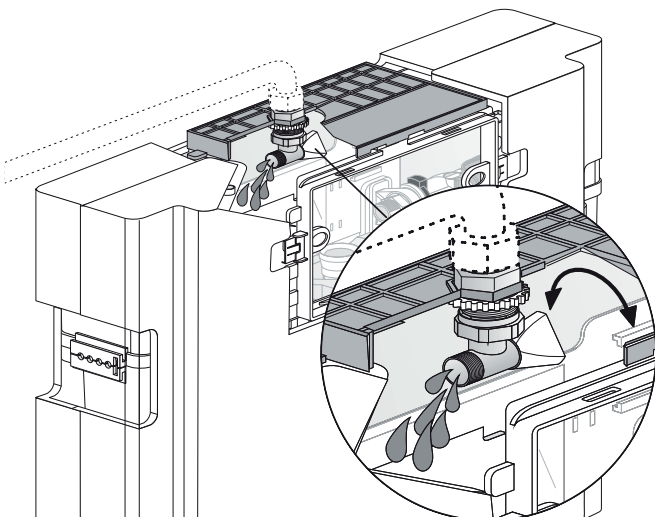
7



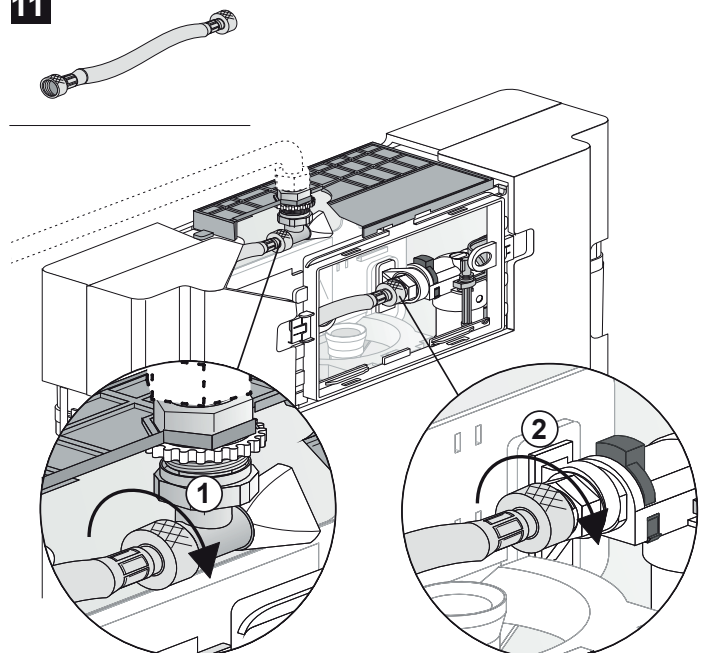
8

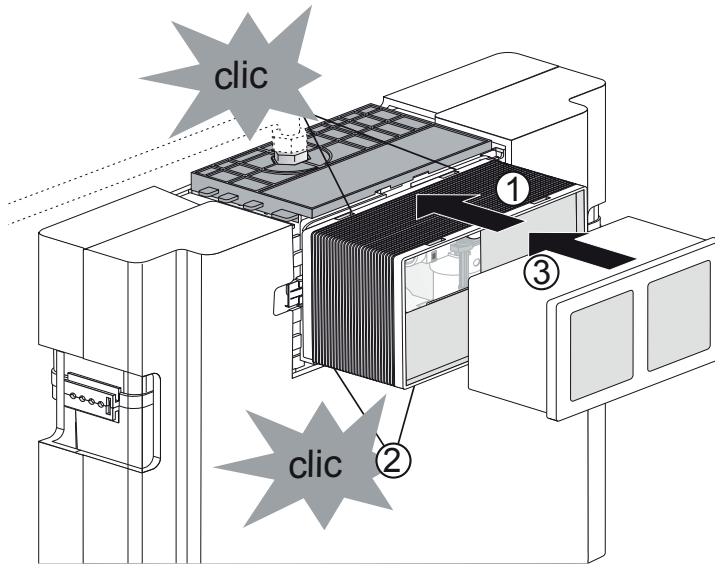


10



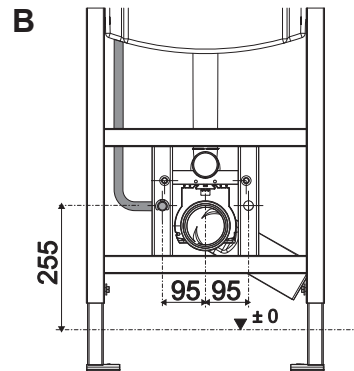
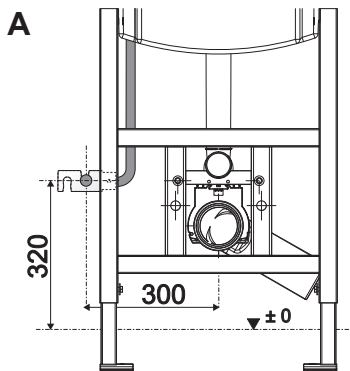
11



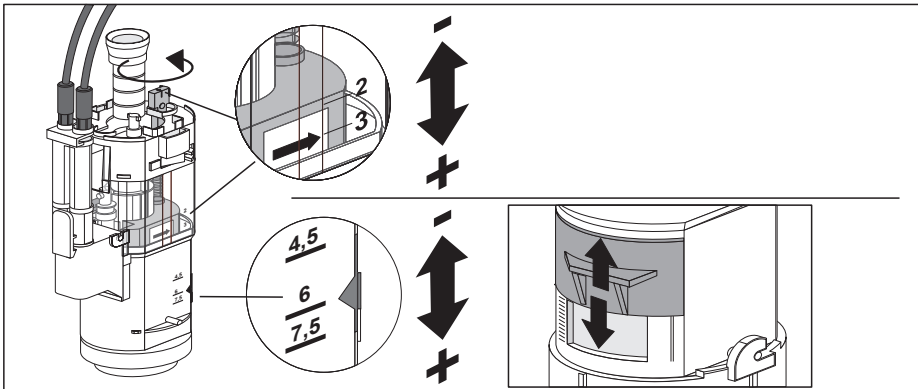
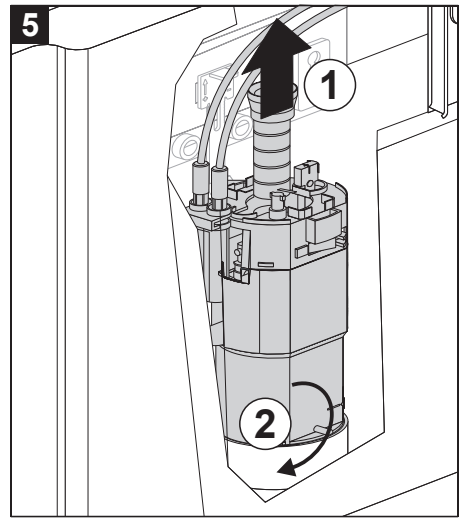
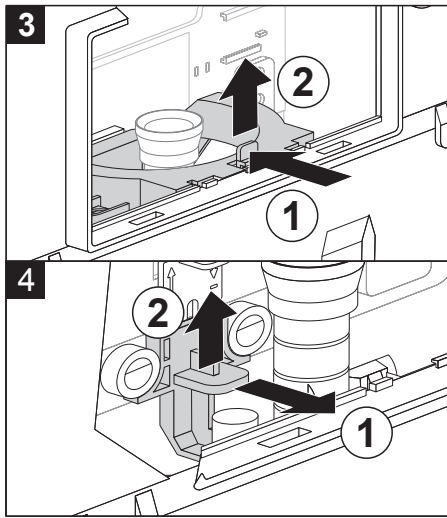
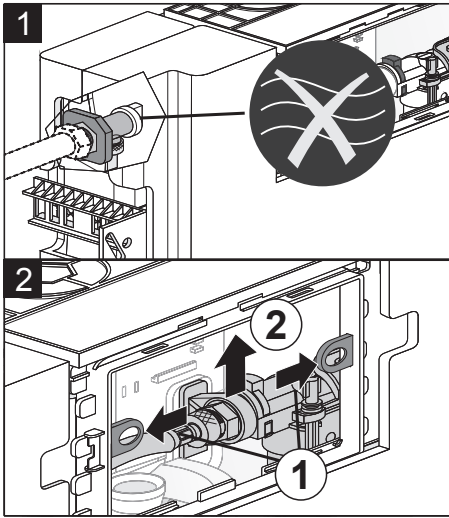


Rohbauset ViClean Art. 9218 51 00

Model	Article No.	Region	Connection Set	Position
ViClean-I100	V0E 1 00 R 1	E M E A	V990 84 00	B
ViClean-L4	V02E L4 01	E M E A	9219 80 00	
ViClean-L3	V02C L3 01	APAC (excl. TW)		
	V02T L3 01	TW		
ViClean-L6	V02C L6 01	APAC (excl. TW)		
	V02T L6 01	TW		
ViClean-U+	V01E U8 01	E M E A (excl. UK)	9221 15 00	
	V01U U8 01	UK		
ViClean-U	V01E U7 01	E M E A (excl. CH, UK)	9219 81 00	A
	V01H U7 01	CH		
	V01U U7 01	UK	9219 82 00	



Service



CE
Villeroy & Boch AG Saarferstraße 1 D - 66693 Mettlach
18
DoP Nr. M244-01 CC-122-S-FO-2V-2C Personal hygiene
EN 14055-CL1-6-NLI-VR11

