

FRAME 25 MIRROR

Mirror without light element

44740.6

Light element for mirror

44751.1

44751.2

44757.1

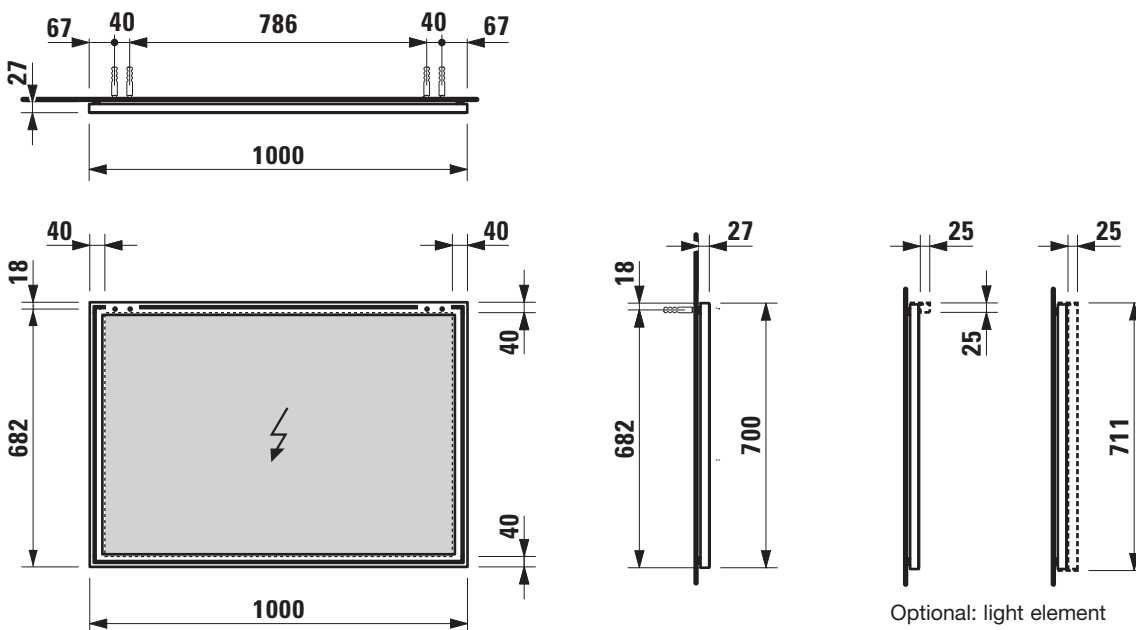
44757.2



TECHNICAL DATA

Order no.	44740.6 / mirror 44751.1, 44757.1 / light element 44751.2, 44757.2 / light element with switch	Specification	LED light element vertical : fixation with integrated non hinge system 44757.1 – vertical, without switch 1x 12W, 4000 Kelvin (daylight), IP44, 230V 44757.2 – vertical, with sensor switch integrated in the mirror aluminium frame 1x 12W, 4000 Kelvin (daylight), IP44, 230V
Certified to	IP44 / 44751.1, 44751.2, 44757.1, 44757.2	Weight	44740.5 – 9,5 kg 44751.1, 44751.2 – 2,0 kg 44757.1, 44757.2 – 1,5 kg
Dimensions (WxHxD)	1000 x 700 x 23 mm (+4 mm gap to wall) / mirror 1000 x 25 x 25 mm / light element horizontal 25 x 711 x 25 mm / light element vertical	Mounting acc. incl.	Installation set for mirror, order no. 49831.5
Specification	Mirror without light: mirror glass 4 mm with security foil on the back side, integrated in aluminium frame electro polished LED light element horizontal: fixation with integrated non hinge system 44751.1 – without switch 1x 15W, 4000 Kelvin (daylight), IP44, 230V 44751.2 – with sensor switch integrated in the mirror aluminium frame (bottom side) 1x 15W, 4000 Kelvin (daylight), IP44, 230V	Mounting information	The fortification walls must meet the requirements of the furniture in terms of weight and the supplied fasteners. This can not be guaranteed, another method of attachment is chosen. 230V power supply required (only for mirror with light element).

TECHNICAL DRAWINGS / S 1 : 20



Optional: light element
horizontal / vertical