

# SET KARTELL BY LAUFEN

## Countertop basin, shelf right

81033.8



### TECHNICAL DATA

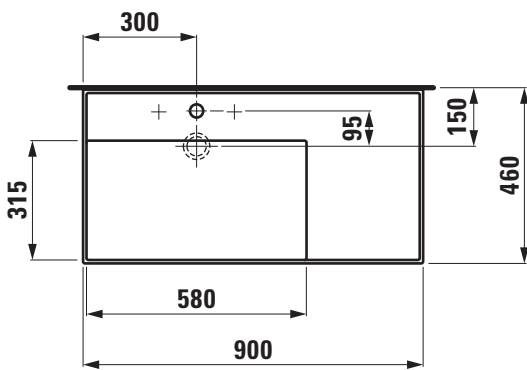
|                       |   |
|-----------------------|---|
| Order no.             | 81033.8   |
| Certified to          | EN 31   |
| Dimensions            | 900 x 460 mm  |
| Basin capacity        | 6.2 litre (basin with hidden overflow)<br>12.5 litre (basin without overflow)   |
| Specification         | with special hidden drain<br>Charge 111 – 1 centre tap hole, without overflow   |
| Special specification | Charge 112 – without tap holes, without overflow<br>Charge 158 – 3 tap holes, without overflow<br>Charge 815 – 1 centre tap hole, 1 hole right for mixing unit, without overflow<br>Charge 104 – 1 centre tap hole, hidden overflow<br>Charge 108 – 3 tap holes, hidden overflow<br>Charge 814 – 1 centre tap hole, 1 hole right for mixing unit, hidden overflow |
| Weight                | 21,0 kg   |
| Accessories excl.     | Towel frame, order no. 38533.6  |

|                     |  |
|---------------------|--|
| Mounting acc. incl. | Valve pre-assembled<br>Charge 111, 112, 158, 815 – valve without overflow always open, order no. 89830.1<br>Charge 104, 108, 814 – pop up valve, order no. 89830.2 |
| Mounting acc. excl. | Siphon DN 32 chrome, order no. 89394.7<br>Mounting set M10 x 140 mm, order no. 89988.2   |
| Colours             | see colour table   |

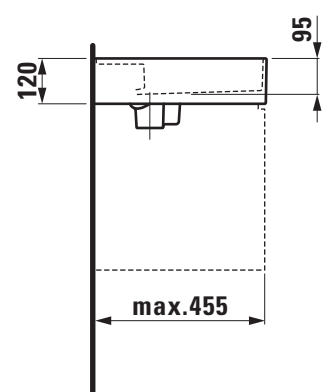
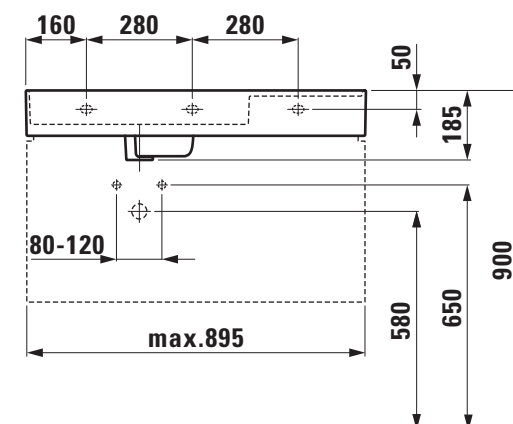
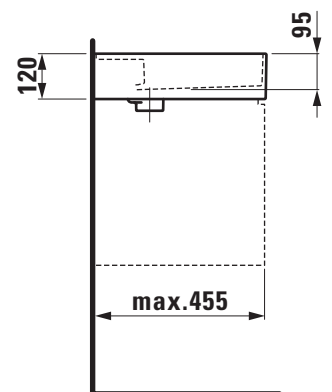
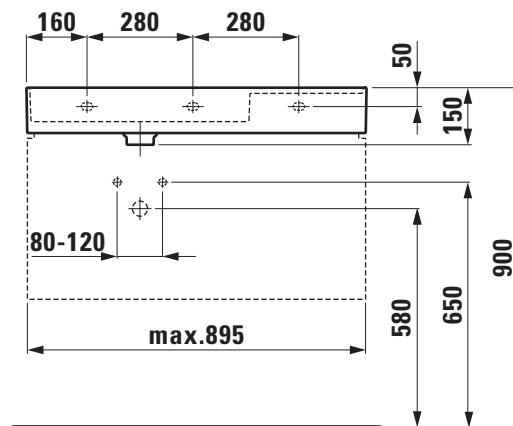
### SPECIFICATION TEXT

Countertop basin KARTELL BY LAUFEN, SaphirKeramik EN 31, dimensions 900 x 460 mm  
1 centre tap hole, without overflow, valve without overflow always open  
Special feature: with special hidden drain, valve pre-assembled  
Further options / accessories: Surface refinement LCC (only white), without tap holes and overflow, 3 tap holes without overflow, 1 centre tap hole with 1 hole right for mixing unit and without overflow, 1 centre tap hole with hidden overflow, 3 tap holes with hidden overflow, 1 centre tap hole with 1 hole right for mixing unit and hidden overflow, towel frame, bathtubs, shower trays, furniture, accessories  
Order no. 81033.8

### TECHNICAL DRAWINGS / S 1 : 20



Charge 111, 112, 158, 815



Charge 104, 108, 814