

SET LAUFEN PRO S

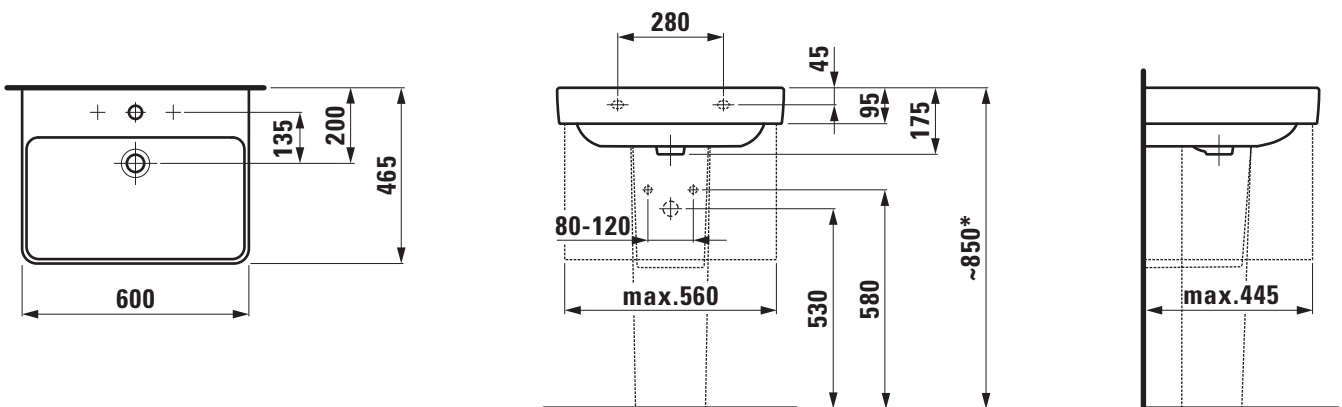
Countertop basin 81096.3



TECHNICAL DATA

Order no.	81096.3	Accessories excl.	Siphon cover, order no. 81996.3 (3 tap holes not possible)
Certified to	EN 31		Pedestal, order no. 81996.2
Dimensions	600 x 465 mm	Mounting acc. excl.	Mounting set M10 x 140 mm, order no. 89988.2
Inside dimensions of the basin	555 x 310 mm	Colours	see colour table
Specification	Charge 104 – 1 centre tap hole	SPECIFICATION TEXT	
Special specification	Charge 108 – 3 tap holes Charge 109 – without tap hole Charge 111 – 1 centre tap hole, without overflow Charge 112 – without tap holes, without overflow Charge 136 – 3 tap holes, distance 8 inches Charge 142 – without tap hole, without overflow and without open drain Charge 156 – 1 centre tap hole, without overflow and without open drain Charge 158 – 3 tap holes, without overflow	Countertop basin LAUFEN PRO S, sanitary ceramic EN 31, dimensions 600 x 465 mm, angular 1 centre tap hole Special feature: overflow channel glazed Further options / accessories: Surface refinement LCC (only white), 3 tap holes, without tap holes, 1 tap hole without overflow, without tap holes and overflow, 3 tap holes distance 8 inches, without tap holes/ overflow and open drain, 1 tap hole/without overflow and open drain, 3 tap holes without overflow, siphon cover, pedestal, bathtubs, furniture Order no. 81096.3	
Weight	17,0 kg		

TECHNICAL DRAWINGS / S 1 : 20



* = Effective height must be fixed according to the height of the pedestal.